



12" Lightline, A08912



Dual Lightlines, A08975



Apertured Lens, A08806, Cylindrical Lens, A08826

Lightlines

Uniform lines of white light for Machine Vision and Inspection applications.

Features

- Calibrated with DDL-bulb to a specified number of gray scale levels (see chart below) at a mean of 200 with a gamma setting of 1.0 to deliver optimum uniformity. Refer to section 25.02.01 for information on uniformity of fiber optic products.
- Assembly method accurately positions the fiber line within the body on all three planes, to a tolerance of $\pm .004"$ (0.1)[†]. The technique assures the fiber axis will be parallel with the mounting surface of the body.
- Fiber bundle exit locations include back-side (standard exit), back-center, and true-side.
- Standard input ferrule fits ColdVision Series light sources. Can also be used with strobes.
- Rugged aluminum body with black anodized finish.
- PVC covered metal or stainless steel tubing protect the fiber bundle.
- Lightline holders and support products available.
- Custom lengths, bundle exits, line widths, and multiple combinations (dual, quad, etc.) can be designed for your unique requirements. Lead time required.
- Cylindrical and apertured lenses are available as standard products for most lightline models. They can be custom made for all models.

Lightlines and Lenses

Part No.	Line Dimensions Length x Width	Input Active Fiber Dia.	Gray Scale Uniformity [^]	P/N Lens	
				Cylindrical	Apertured
Single line configuration w/30" bundle length and back-side single exit					
A08903	3" x .040" (76 x 1.02)	.39" (10) [†]	± 8	A08823	A08803
A08904	4" x .036" (102 x .91)	.43" (11)	± 8	A08824	A08804
A08905	5" x .040" (127 x 1.02)	.51" (13)	± 8	A08825	A08805
A08906	6" x .033" (152 x .84)	.51" (13)	± 8	A08826	A08806
A08907*	7" x .029" (178 x .74)	.51" (13)	± 8	Custom	Custom
A08908	8" x .025" (203 x .64)	.51" (13)	± 8	A08828	A08808
A08909*	9" x .022" (229 x .56)	.51" (13)	± 8	Custom	Custom
A08910	10" x .020" (254 x .51)	.51" (13)	± 8	A08830	A08810
A08911*	11" x .018" (279 x .46)	.51" (13)	± 8	Custom	Custom
A08912	12" x .016" (305 x .41)	.51" (13)	± 8	A08832	A08812
A08913*	13" x .015" (330 x .38)	.51" (13)	± 10	Custom	Custom
Custom	14" x .014" (356 x .36)	.51*(13)	± 10	Custom	Custom
A08915*	15" x .013" (381 x .33)	.51" (13)	± 10	Custom	Custom
A08916	16" x .012" (406 x .30)	.51" (13)	± 10	A08836	A08816
Dual line configuration w/true-side bundle exit (see photo above)					
A08975	6" x .022" (152 x .56)	.58" (16)	± 8	A08826	A08806

* Items are made to order, and may require additional 3-4 weeks delivery. ^ Gamma setting of 1.0

[†]Dimensions in () are in mm

Lightlines

Dimensions in () are in mm

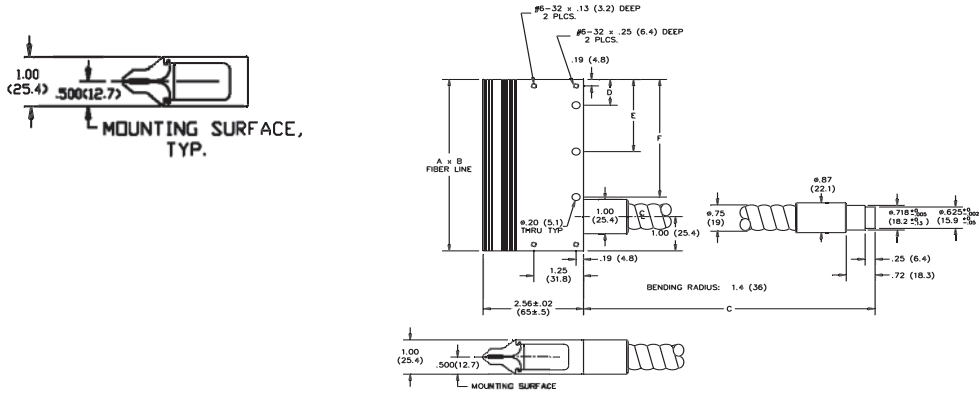
Input: Black Anodized Aluminum

Body: Black Anodized Aluminum

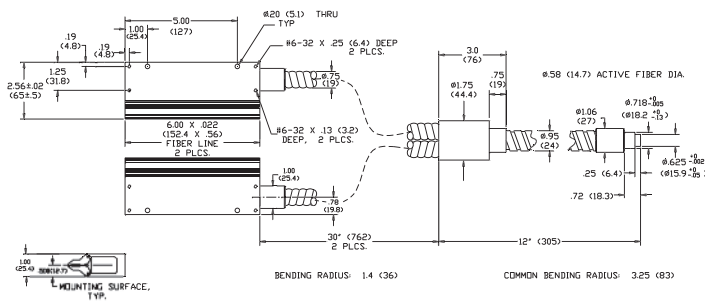
Sheathing: PVC Covered Metal Tubing

Product improvements may result in specification or feature changes without notice.

Warning: This product is manufactured with glass fiber. Not for use in cable/hose carrier. Call SCHOTT to discuss moving cable/hose carrier applications.



A08903 – A08916
Lightlines



A08975
Dual Lightline

Matrix for A08903 - A08916 Lightline Drawing

Part No.	A	B	C	D	E	F
A08903	3" (76)	.040" (1.0)	30" (762)	.75" (19.1)	1.5" (39)	n/a
A08904	4" (102)	.036" (.91)	30" (762)	.75" (19.1)	2.5" (64)	n/a
A08905	5" (127)	.040" (1.02)	30" (762)	.75" (19.1)	3.5" (89)	n/a
A08906	6" (152)	.033" (.84)	30" (762)	.75" (19.1)	4.5" (114)	n/a
A08907	7" (178)	.029" (.74)	30" (762)	.75" (19.1)	5.5" (140)	n/a
A08908	8" (203)	.025" (.64)	30" (762)	.75" (19.1)	6.5" (165)	n/a
A08909	9" (229)	.022" (.56)	30" (762)	.75" (19.1)	7.5" (191)	n/a
A08910	10" (254)	.020" (.51)	30" (762)	.75" (19.1)	8.5" (216)	n/a
A08911	11" (279)	.018" (.46)	30" (762)	.75" (19.1)	9.5" (241)	n/a
A08912	12" (305)	.016" (.41)	30" (762)	.75" (19.1)	10.5" (267)	n/a
A08913	13" (330)	.015" (.38)	30" (762)	.75" (19.1)	6.13" (156)	11.5" (292)
Custom	14" (336)	.014" (.38)	30" (762)	.75" (19.1)	6.63" (168)	12.5" (316)
A08915	15" (381)	.013" (.33)	30" (762)	.75" (19.1)	7.13" (181)	13.5" (343)
A08916	16" (406)	.012" (.30)	30" (762)	.75" (19.1)	7.63" (194)	14.5" (368)

Lighting and Imaging

SCHOTT AG

Otto-Schott-Str. 2

55127 Mainz

Germany

Phone: +49 (0) 6131/66-7752

Fax: +49 (0) 6131/66-7850

E-mail: lightingimaging@schott.com

www.schott.com/lightingimaging

SCHOTT
glass made of ideas