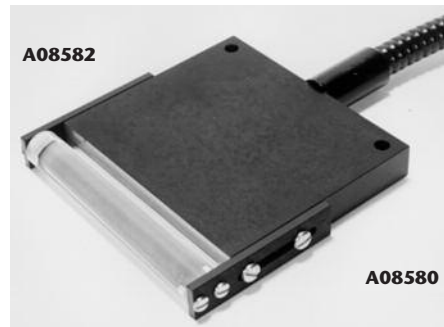


Cylindrical and apertured lenses, A08806 & A08826



3" (76 mm) Lightline with A08582 Cylindrical Lens

Lightline Lenses

Cylindrical and apertured lenses for 1" to 16" lightlines.

Features

- Cylindrical and apertured lenses are available as standard products for most lightline models. They can be custom made for all models.
- Cylindrical lens attachments are designed to collect light exiting the lightline to increase intensity up to a factor of 10.
- Apertured lens attachments are designed to project a more collimated line of light, not to increase light intensity.
- The lenses are adjustable and easily attach to SCHOTT lightlines.
- Custom length and configurations are available. Lead time is required.

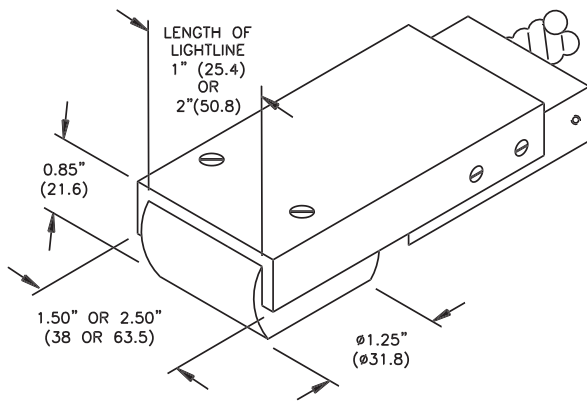
Lenses and Polarizer Kits

Lightline Part No.	Lens Part No.	
	Cylindrical	Apertured
1", 2", & 3" Lightlines		
A08579	A08571	Custom
A08580	Custom	Custom
A08583	A08572	Custom
A08584	A08572	Custom
A08588	A08571	Custom
A08589	A08572	Custom
3" to 16" Continuous Lightlines		
A08903	A08823	Custom
A08904	A08824	Custom
Custom	Custom	Custom
A08906	A08826	Custom
Custom	Custom	Custom
A08908	Custom	Custom
Custom	Custom	Custom
A08910	Custom	Custom
Custom	Custom	Custom
A08912	A08832	Custom
Custom	Custom	Custom
A08914	Custom	Custom
Custom	Custom	Custom
A08916	Custom	Custom
A08975	A08826	A08806
24" to 40" Continuous Lightlines		
A08940	A08860	Custom
A08964	A08864	Custom
45 Degree Lightline		
Custom	Custom	Custom

Lightline Lenses

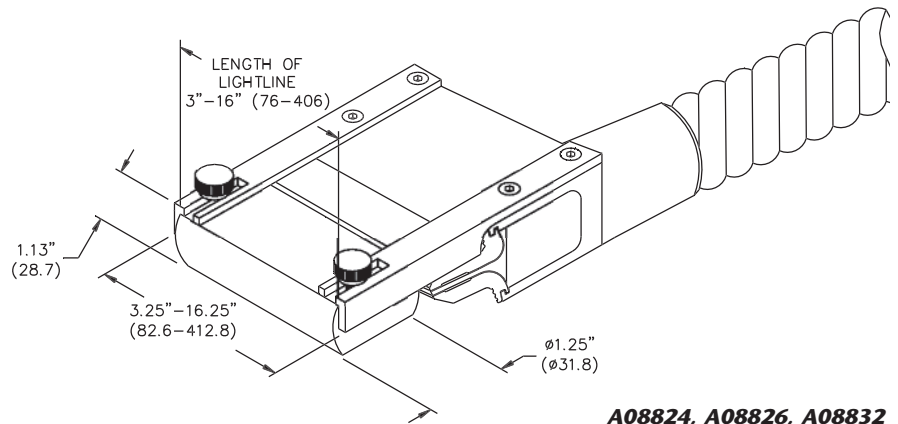
Dimensions in () are in mm

Product improvements may result in specification or feature changes without notice.



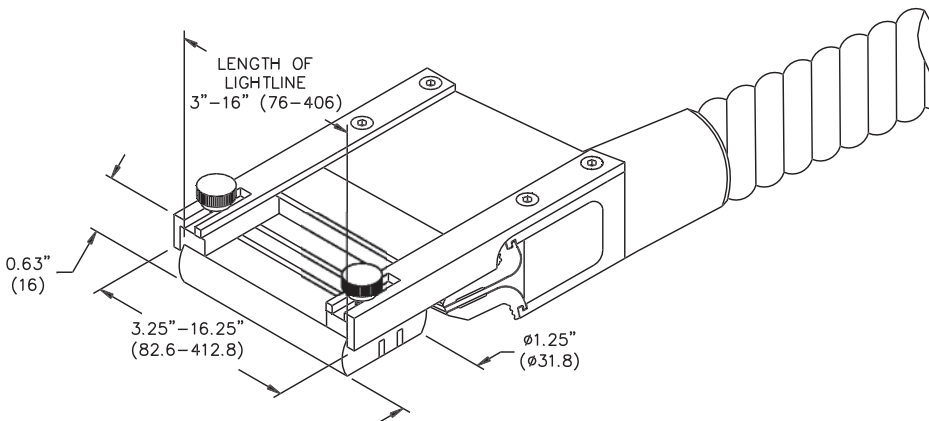
A08571

Cylindrical and Apertured Lenses



A08824, A08826, A08832

Cylindrical Lenses



A08806

Apertured Lenses

Lighting and Imaging

SCHOTT AG

Otto-Schott-Str. 2

55127 Mainz

Germany

Phone: +49 (0) 6131/66-7752

Fax: +49 (0) 6131/66-7850

E-mail: lightingimaging@schott.com

www.schott.com/lightingimaging

SCHOTT
glass made of ideas