



Combination Dual Gooseneck with Bundle, A08520



Combination Gooseneck, Bundle, and Bracket, A08512 for Olympus SZX Series Microscopes

## Combination Goosenecks & Bundles

*Obedient, incident illumination for space constrained applications.*

### Features

- The bundle sheathing is made of PVC covered metal tubing and the gooseneck is made of semi-obedient, chrome-plated metal gooseneck tubing.
- Bend radius of the chrome gooseneck tubing is 2-3" (51 - 76)\*.
- The standard output ferrules accept spot lenses with or without polarizing caps. (See Accessories section of the product catalog for details.)
- Custom configurations are available. Lead time is required.

### Advantages

- Precise positioning of a spot of light.
- Gooseneck legs placed in opposing positions create shadow-free illumination.
- Re-adjust with ease.
- Dual models illuminate a workspace with a single light source.

Combination Goosenecks and Bundles						
Part No.	Active Input Fiber	Active Output Fiber Diameter	Bundle Tubing Diameter	Gooseneck Tubing Diameter	Bundle Length Diameter	Gooseneck Length
Combination Goosenecks and Bundle(s)						
A08510	.30" (8)*	.21" (5)	.47" (12)	.46" (12)	17" (432)	8.5"(216)
A08512	.30" (8)	.21" (5)	.47" (12)	.46" (12)	29" (737)	17"(432)
A08520	.30" (8)	.21" (5)	.47" (12)	.46" (12)	30" (762)	18"(457)
A08520.60	.30" (8)	.21" (5)	.47" (12)	.46" (12)	60" (1524)	18"(457)

\*Dimensions in ( ) are in mm

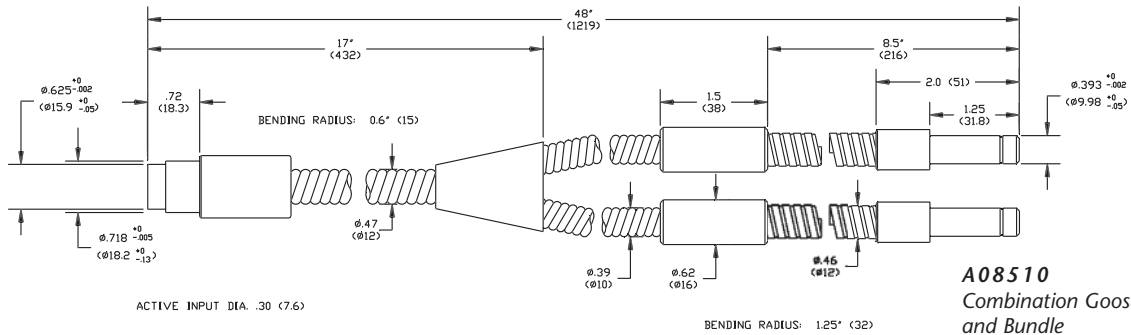
# Combination Goosenecks & Bundles

Dimensions in ( ) are in mm

Product improvements may result in specification or feature changes without notice.

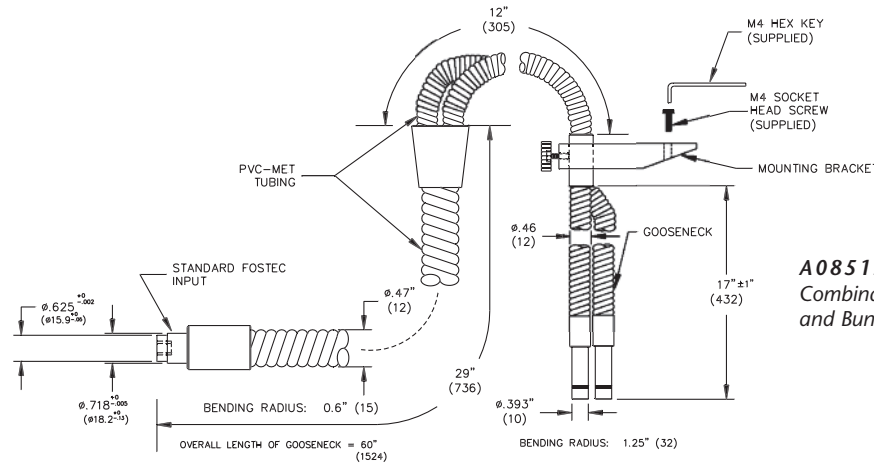
**Ringlight Input:** Black Anodized Aluminum  
**Bundle Sheathing:** PVC Covered Metal Tubing  
**Gooseneck Sheathing:** Chrome Plated Steel

**Warning:** This product is manufactured with glass fiber. Not for use in cable/hose carrier. Call SCHOTT to discuss moving cable/hose carrier applications.



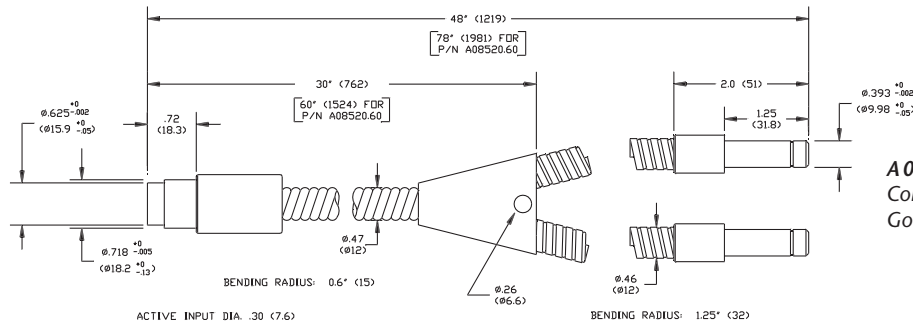
ACTIVE INPUT DIA. .30 (7.6)

BENDING RADIUS: 1.25" (32)



OVERALL LENGTH OF GOOSENECK = 60" (1524)

BENDING RADIUS: 1.25" (32)



ACTIVE INPUT DIA. .30 (7.6)

BENDING RADIUS: 1.25" (32)

Lighting and Imaging  
**SCHOTT AG**  
 Otto-Schott-Str. 2  
 55127 Mainz  
 Germany  
 Phone: +49 (0) 6131/66-7752  
 Fax: +49 (0) 6131/66-7850  
 E-mail: [lightingimaging@schott.com](mailto:lightingimaging@schott.com)  
[www.schott.com/lightingimaging](http://www.schott.com/lightingimaging)

**SCHOTT**  
glass made of ideas