



A08505

Articulated Arm, A08505

A08506

Articulated Arm, A08506

A08591

Bundle Extender Nylon Tipped Set Screws

Support Apparatus

For accurate positioning when using fiber optic components in industrial and laboratory environments.



A08590

Base, A08507

A08507

Spring Clamp, A08590

Support Apparatus

Part No.	Description
A08505	Articulated arm with M6 thread on one end (will attach to heavy base and V-clamp) and M8 thread on the other end which will fit our A08592 dual V-clamp.
A08506	Articulated arm with M6 threads on both ends. Versatile accessory easily locked into place with only one knob. Can be used with our base and V-clamp and will accept all holders.
A08507	3 1/2 lb. Base for attaching up to three support arms and/or posts at once. M6 threads only.
A08590	Spring Clamp with M6 thread. Industrial strength universal clamp that can be used with our articulated arms to hold bundles, light lines and other equipment. Secure to tabletops or other like surfaces.
A08591	V-Clamp with two M6 threaded holes to use as a table clamp and will accept all our holders.

Dimensions in () are in mm

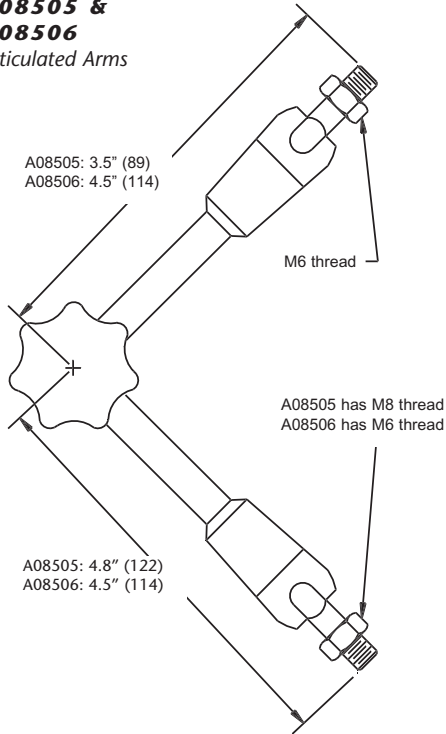
Support Apparatus

Dimensions in () are in mm

Product improvements may result in specification or feature changes without notice.

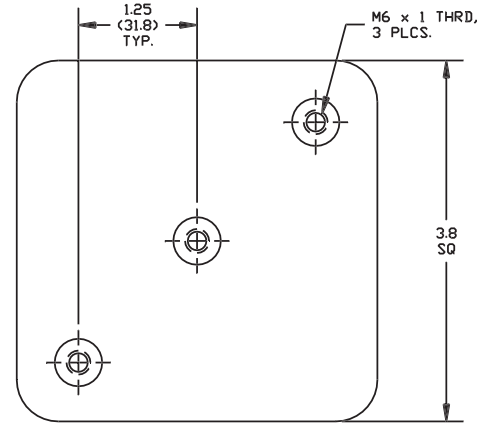
A08505 & A08506

Articulated Arms



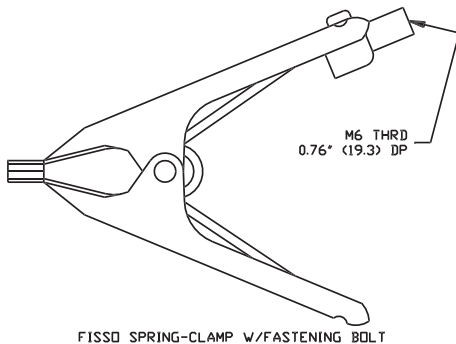
A08507

Base



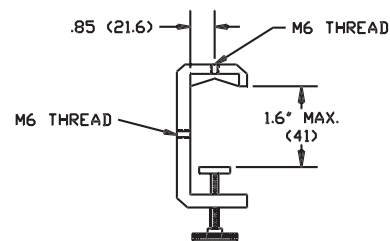
A08590

Spring Clamp



A08591

V-Clamp



Lighting and Imaging

SCHOTT AG

Otto-Schott-Str. 2

55127 Mainz

Germany

Phone: +49 (0) 6131/66-7752

Fax: +49 (0) 6131/66-7850

E-mail: lightingimaging@schott.com

www.schott.com/lightingimaging

SCHOTT
glass made of ideas