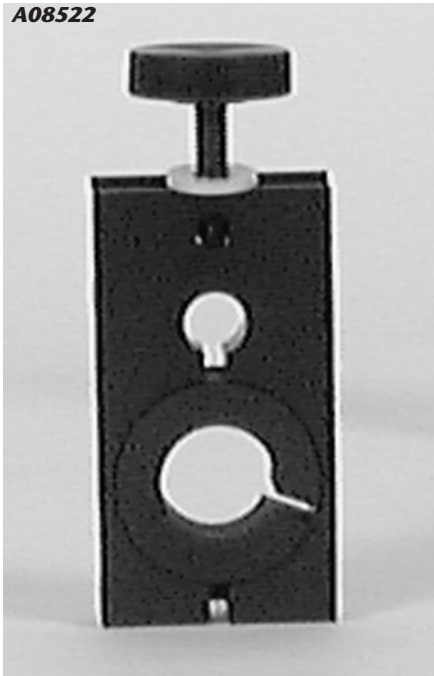


A08522



## Gooseneck & Bundle Support Apparatus

*For accurate positioning in both industrial and laboratory environments.*

A08508



**Gooseneck and Bundle Support Apparatus**

### Support Apparatus

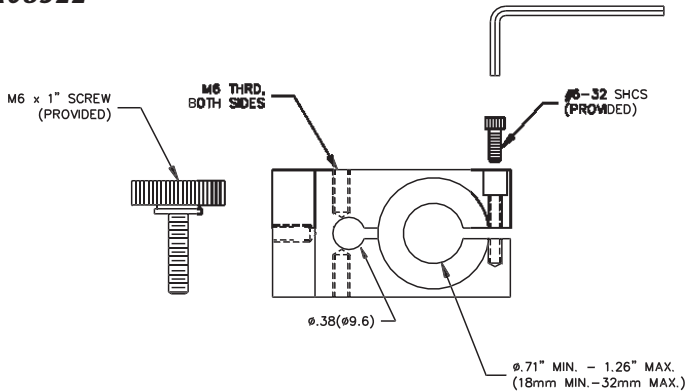
Part No.	Description
A08508	Bundle holder with .565" (14.4) dia. hole for all bundle diameters up to .51" (13). Has an M6 thread.
<b>Universal Post Clamps</b>	
A08522	Clamp for 18 mm post. Zeiss IVB Stereo, IB, III, IV, IVB

# Gooseneck & Bundle Support Apparatus

Product improvements may result in specification or feature changes without notice.

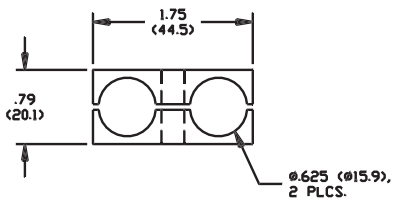
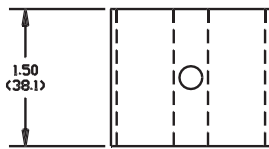
Dimensions in ( ) are in mm

## A08522



## A08502

Clamp Set



Lighting and Imaging

**SCHOTT AG**

Otto-Schott-Str. 2

55127 Mainz

Germany

Phone: +49 (0) 6131/66-7752

Fax: +49 (0) 6131/66-7850

E-mail: [lightingimaging@schott.com](mailto:lightingimaging@schott.com)

[www.schott.com/lightingimaging](http://www.schott.com/lightingimaging)

**SCHOTT**  
glass made of ideas