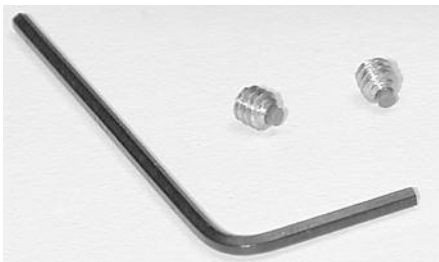


Bundle Extender, A08035



Bundle Extender Nylon Tipped Set Screws

Bundle Extenders

Extend the working length of standard fiber optic components using a SCHOTT bundle and these couplers.

Features

- Reduces the requirement for custom fiber optic lengths.
- Provides the user with additional work space since the light source can be placed in a more remote area.
- Extends length of all standard SCHOTT ringlights, bundles, goosenecks, lightlines, and backlights* that have a .310" (8) or .510" (13) active fiber diameter.
 - Use Part Number A08035 with A08031.40, A08031.40R, A08031.60, A08031.60R, A08031.80, A08031.80R to extend products with an active fiber diameter of .310" (8) or less.
 - Use Part Number A08055 with A08051.40 and A08051.60 to extend products with an active fiber diameter greater than .310" (8) but less than .510" (13).
- Black anodized aluminum with nylon tipped set screws.

PLEASE NOTE: Using a bundle extender results in a 30-40% light loss. If your application requires maximum intensity, we recommend ordering a modified standard component.

**Backlight adapter, part number A08931 is required in order for the bundle extender to be used with SCHOTT standard backlights.*

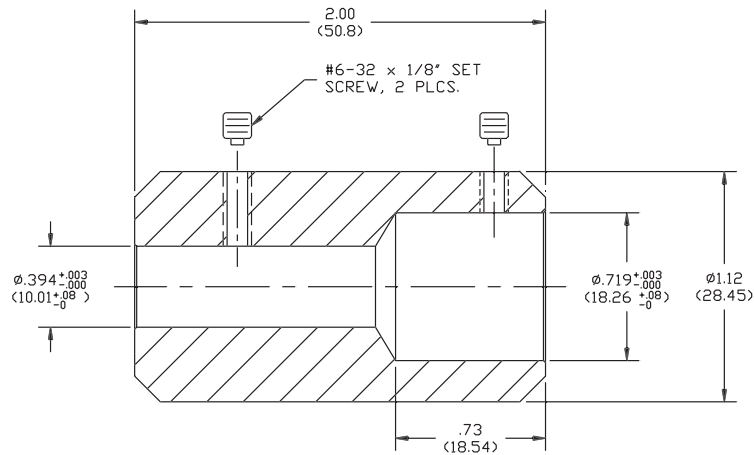
Bundle Extender	
Bundle Extender Part No.	Single Bundle Part No.
A08035	A08031.40
	A08031.60
	A08031.80
	A08031.40R
	A08031.60R
	A08031.80R
A08055	A08051.40
	A08051.60

Bundle Extenders

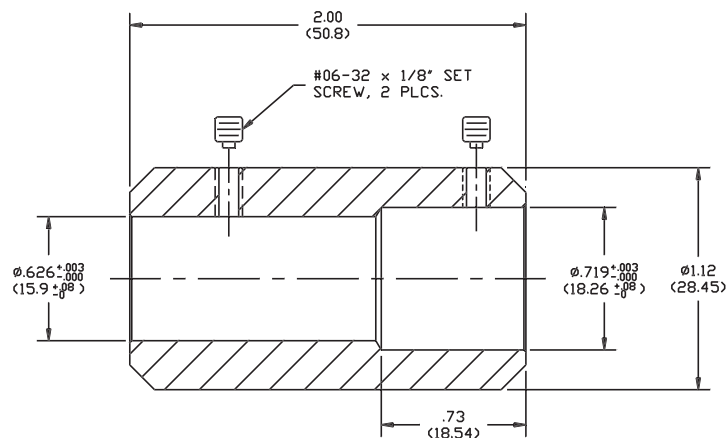
Dimensions in () are in mm

Product improvements may result in specification or feature changes without notice.

A08035
Bundle Extender



A08055
Bundle Extender



Lighting and Imaging

SCHOTT AG

Otto-Schott-Str. 2

55127 Mainz

Germany

Phone: +49 (0) 6131/66-7752

Fax: +49 (0) 6131/66-7850

E-mail: lightingimaging@schott.com

www.schott.com/lightingimaging

SCHOTT
glass made of ideas