



66 mm Ringlight, A08625



ESD 66 mm Ringlight (custom)



Vertical Exit 66 mm Ringlight, A08680

66 mm Ringlights

For intense, uniform, and shadow-free illumination.

Standard Features

- Ringlights fit 66 mm microscope and camera objectives. Also shown on this sheet is a tapered inner-body ringlight for the Nikon SMZ 645/600 microscope. See model number A22040^.
- Working distance is 1.5" to 6" (38 to 152).
- 33" (838) bundle length on all models.
- The ringlight body is made of rugged, black anodized aluminum and the fiber bundle is protected with flexible PVC covered metal tubing except the ESD (Electro Static Discharge) models.
- ESD ringlights are made conductive by replacing the black anodized finish with a conductive finish and the PVC metal tubing with stainless steel tubing. Each ringlight is checked for conductivity from inner body to light source adapter. (Available custom)
- Thumbscrew clamping/mounting system for precise positioning (except for model number A22040). Ringlights fit directly onto most microscope and camera objectives without adapters.
- Clamp rings for the Universal ringlights also fit the 66 mm ringlights for use with a different diameter objective microscope or with the Ringlight Holder. (See the Support Apparatus for Ringlights section of the catalog for more information.)
- Input fits all ColdVision light sources. Ringlights can be used with other manufacturer's continuous light sources. Adapters may be required.
- Use ringlights with our Dichroic color filters, diffusers, polarizer/analyzers and reflector rings for alternative lighting effects.
- Modified standard and custom ringlights are also available for all your unique requirements.

66 mm Ringlights						
Part No.	Standard Exit	Vertical Exit	ESD	Objective Diameter	Mounting System	Polarizer/Analyzer
A08625	X			66 mm	Thumbscrew	A08615*
A08680		X		66 mm	Thumbscrew	A08615*
Custom			X	66 mm	Thumbscrew	N/A

* If using the A08626 adapter, use A08627 polarizer/analyzer

66 mm Ringlights

Dimensions in () are in mm

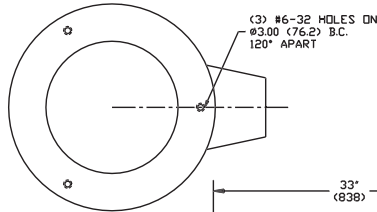
Product improvements may result in specification or feature changes without notice.

Ringlight Input: Black Anodized Aluminum or Conductive Finish

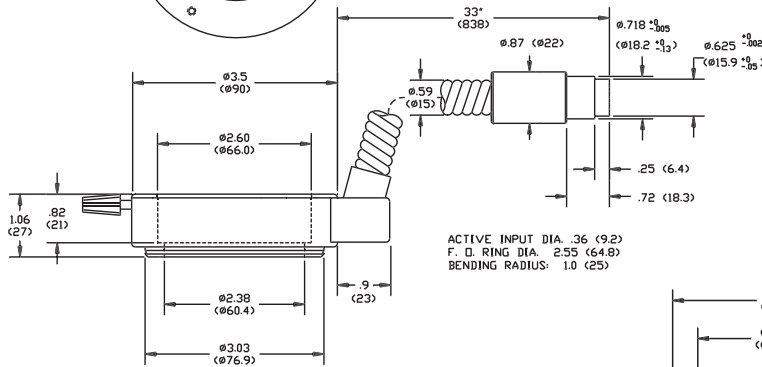
Bundle Sheathing: PVC Covered Metal Tubing or Stainless Steel

Working Distance: 1.5" to 6" (38 to 152)

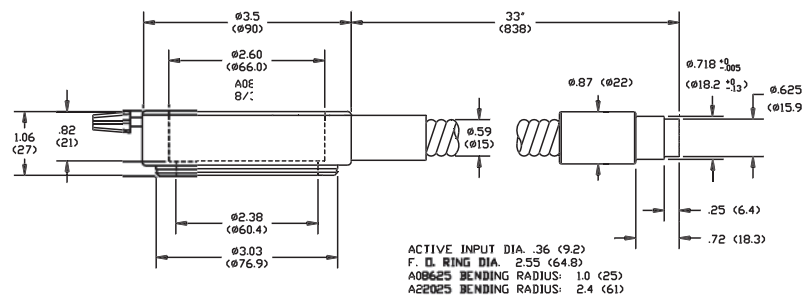
Warning: This product is manufactured with glass fiber. Not for use in cable/hose carrier. Call SCHOTT to discuss moving cable/hose carrier applications.



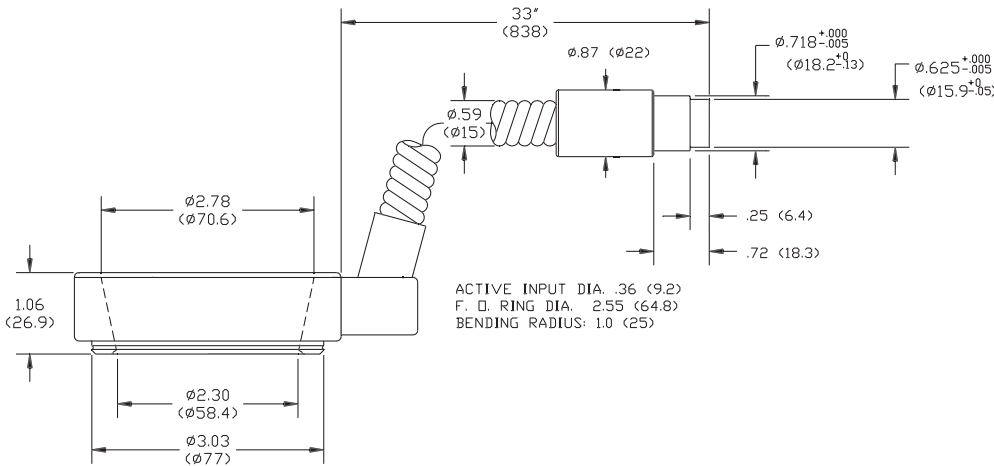
**Mounting Hole Locations for
 A08625, A22025 & A08680**



A08680 - 66 mm Ringlight with Vertical Exit



A08625 - 66 mm Ringlights



A22040 - Nikon SMZ 645/660 Ringlight with Vertical Exit and Retaining Ring

Lighting and Imaging

SCHOTT AG

Otto-Schott-Str. 2

55127 Mainz

Germany

Phone: +49 (0) 6131/66-7752

Fax: +49 (0) 6131/66-7850

E-mail: lightingimaging@schott.com

www.schott.com/lightingimaging

SCHOTT
 glass made of ideas