

A22040



Ringlight, A22040 with Retaining Ring

A22050



Ringlight, A22050

## 58 mm Ringlights

Designed to fit Nikon SMZ and Leica S4E and S6E microscopes.

### Standard Features

- Working distance is 1.5" to 6" (38 to 152).
- 33" (838) bundle length on all models.
- The ringlight body is made of rugged, black anodized aluminum and the fiber bundle is protected with flexible PVC covered metal tubing except the ESD (Electro Static Discharge) models.
- ESD ringlights are made conductive by replacing the black anodized finish with a conductive finish and the PVC metal tubing with stainless steel tubing. Each ringlight is checked for conductivity from inner body to light source adapter.
- Vertical exit bundle increases work space and prevents the bundle from interfering with surrounding objects.
- Retaining ring mounting for the A22040 ringlight offers secure positioning.
- Thumbscrew clamping/mounting system for precise positioning on the A22050 & A22060 models. Ringlights fit directly onto microscope and camera objectives without adapters.
- A22050 and A22060 ringlights will fit on all auxiliary lenses for the S4E and S6E microscopes.
- Use ringlights with our Dichroic color filters, diffusers, polarizer/analyzers, and reflector rings for alternative lighting effects.
- Modified standard and custom ringlights are also available for all your unique requirements.

### 58 mm Ringlights

Part No.	ESD	Objective Diameter	Mounting System	Polarizer/Analyzer
A22040*		Nikon SMZ 645/660	Retaining Ring	Custom
A22050		Leica S4E/S6E	Thumbscrew	Custom
A22060	X	Leica	Thumbscrew	Custom

\*The A22040 ringlight has a tapered ring diameter to use with SMZ 645/660 microscope.

A retaining ring is used for mounting instead of a thumbscrew

# 58 mm Ringlights

Dimensions in ( ) are in mm

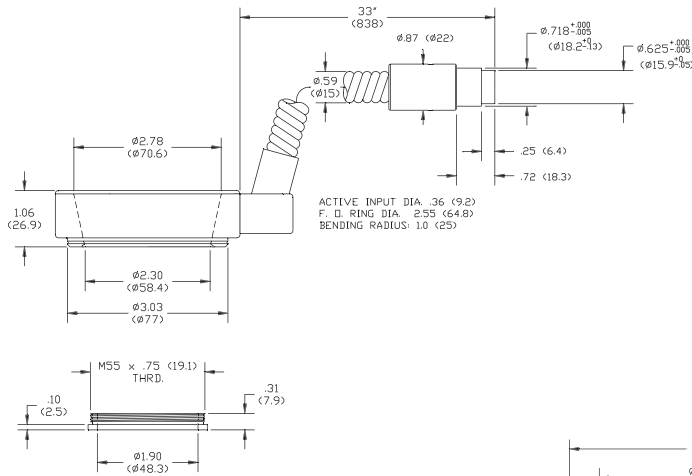
**Ringlight Input:** Black Anodized Aluminum or Conductive Finish

**Bundle Sheathing:** PVC Covered Metal Tubing or Stainless Steel

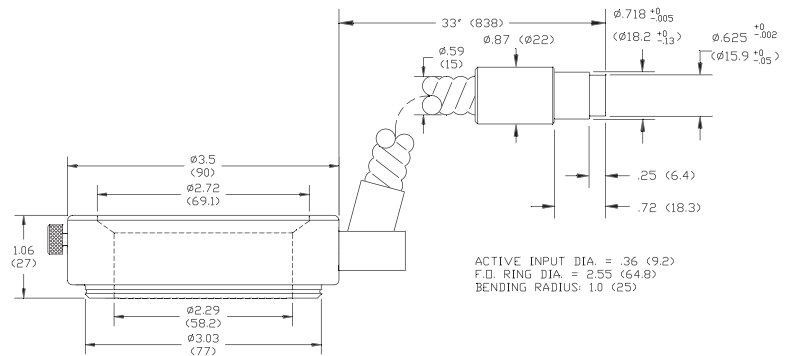
**Working Distance:** 1.5" to 6" (38 to 152)

Product improvements may result in specification or feature changes without notice.

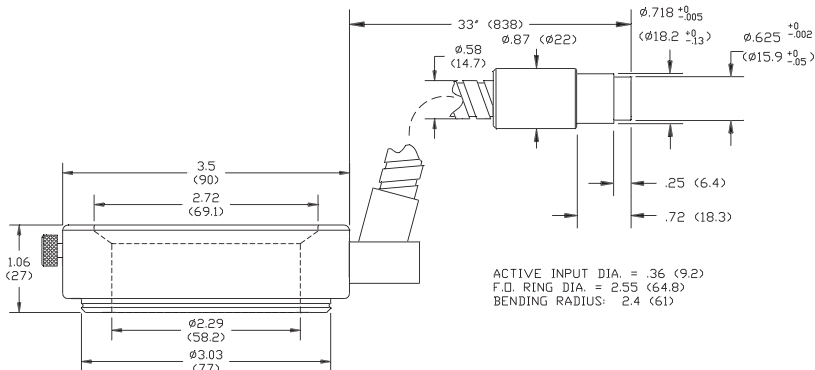
**Warning:** This product is manufactured with glass fiber. Not for use in cable/hose carrier. Call SCHOTT to discuss moving cable/hose carrier applications.



**A22040 - Ringlight with Vertical Exit and Retaining Ring for Nikon SMZ 645/660 Microscopes**



**A22050 - Ringlight with Vertical Exit for Leica S4E/S6E Microscopes**



**A22060 - ESD Ringlight with Vertical Exit for Leica S4E/S6E Microscopes**

Lighting and Imaging

**SCHOTT AG**

Otto-Schott-Str. 2

55127 Mainz

Germany

Phone: +49 (0) 6131/66-7752

Fax: +49 (0) 6131/66-7850

E-mail: [lightingimaging@schott.com](mailto:lightingimaging@schott.com)

[www.schott.com/lightingimaging](http://www.schott.com/lightingimaging)

**SCHOTT**  
glass made of ideas