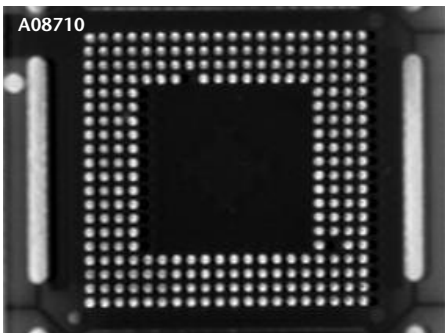


A22780

Darkfield Ringlight, A22780

A08710

Actual image of BGA (Ball Grid Array) chip illuminated by a Darkfield ringlight clearly identifies where solder balls are missing.

**SPECIAL CONFIGURATIONS FOR
OEM & VISION INTEGRATORS!**
Darkfield ringlights can be custom
manufactured for your unique
requirements. Call for a custom quote.

Darkfield Ringlight

Unique parabolic reflector ring creates a radial "light sheet" for oblique lighting effects

Features

- Eliminates need for a quad lightline and mounting hardware to create similar lighting effects.
- Randomized bundle creates extremely uniform light output.
- Remove the reflector ring to create a long working distance ringlight.
- Can be used with continuous or strobe light sources.
Standard input adapter accepts the full range of all our color filters.
- Three #8-32 threaded mounting holes in the top of the ringlight body facilitate fixturing.
- Rugged aluminum body and light source adapter with black anodized finish.
- PVC covered metal tubing protects the fiber bundle.

Typical Applications

- BGA (Ball Grid Array) inspection.
- Illuminating scratches on highly reflective surfaces.
- Water contamination inspection.

Darkfield Ringlights					
Part No.	Standard Exit	ID	OD	Working Distance	Bundle Length
A22780	X	4.03" (102)	5.25" (134)	0" - .25" 0"-6.35)	30" (762)

**Dimensions in () are in mm*

Darkfield Ringlight

Dimensions in () are in mm

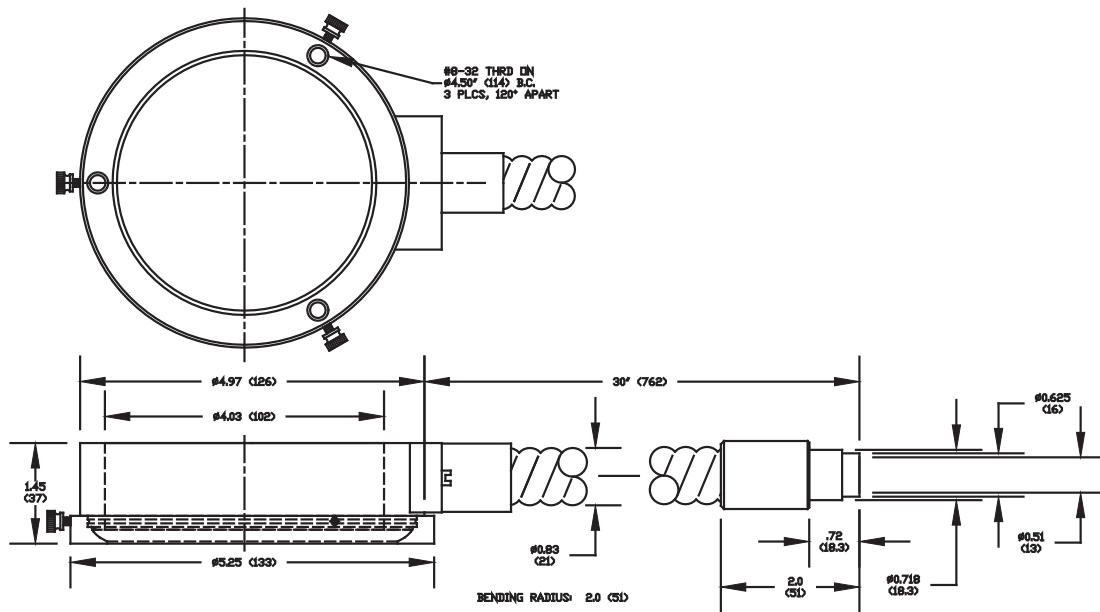
Ringlight Input: Black Anodized Aluminum

Bundle Sheathing: PVC Covered Metal Tubing or Stainless Steel

Product improvements may result in specification or feature changes without notice.

Warning: This product is manufactured with glass fiber. Not for use in cable/hose carrier. Call SCHOTT to discuss moving cable/hose carrier applications.

A22780
Darkfield Ringlight



Dimensions in () are in mm

Lighting and Imaging

SCHOTT AG

Otto-Schott-Str. 2

55127 Mainz

Germany

Phone: +49 (0) 6131/66-7752

Fax: +49 (0) 6131/66-7850

E-mail: lightingimaging@schott.com

www.schott.com/lightingimaging

SCHOTT
glass made of ideas