



4" Ringlight, A08700



8" Ringlight, A08710

Large Ringlights

SCHOTT ringlights emit intense, uniform, and shadow-free illumination for Machine Vision and Microscopy applications.

4" Ringlight, Part Number A08700

- Fiber ring diameter is 4.5" (114*).
- Working distance ranges from 2" to 8" (51 to 203).
- Light exits at 40 degree angle for specular-free illumination.
- Randomized fiber bundle maximizes uniformity.
- The ringlight body is made of rugged, black anodized aluminum and the fiber bundle is protected with flexible PVC covered metal tubing.
- Use ringlights with our Dichroic color filters, diffusers and polarizers for alternative lighting effects (customer supplies analyzer).

8" Ringlight, Part Numbers A08710

- Low Profile ringlights for working distances from 2.5" to over 4.5 (64 to 114)
- #1/4-20 mounting threads in the coupler (front and top).
- The ringlight body is made of rugged, black anodized aluminum and the fiber bundle is protected with stainless steel tubing.
- Use ringlights with our Dichroic color filters, diffusers, and polarizers for alternative lighting effects. Filters and diffusers will require an adapter, part number A08931, due to the size of the input. Customer supplies analyzer.

*Dimensions in () are in mm

Large Ringlights

Part No.	ID	OD	Working Distance	Bundle Length
A08700	4" (102)	9.98" (127)	2" - 8" (51 - 203)	30" (762)
A08710	7.5" (191)	8.95" (227)	2.5" - 4.5" (64 - 114)	40" (1016)

Large Ringlights

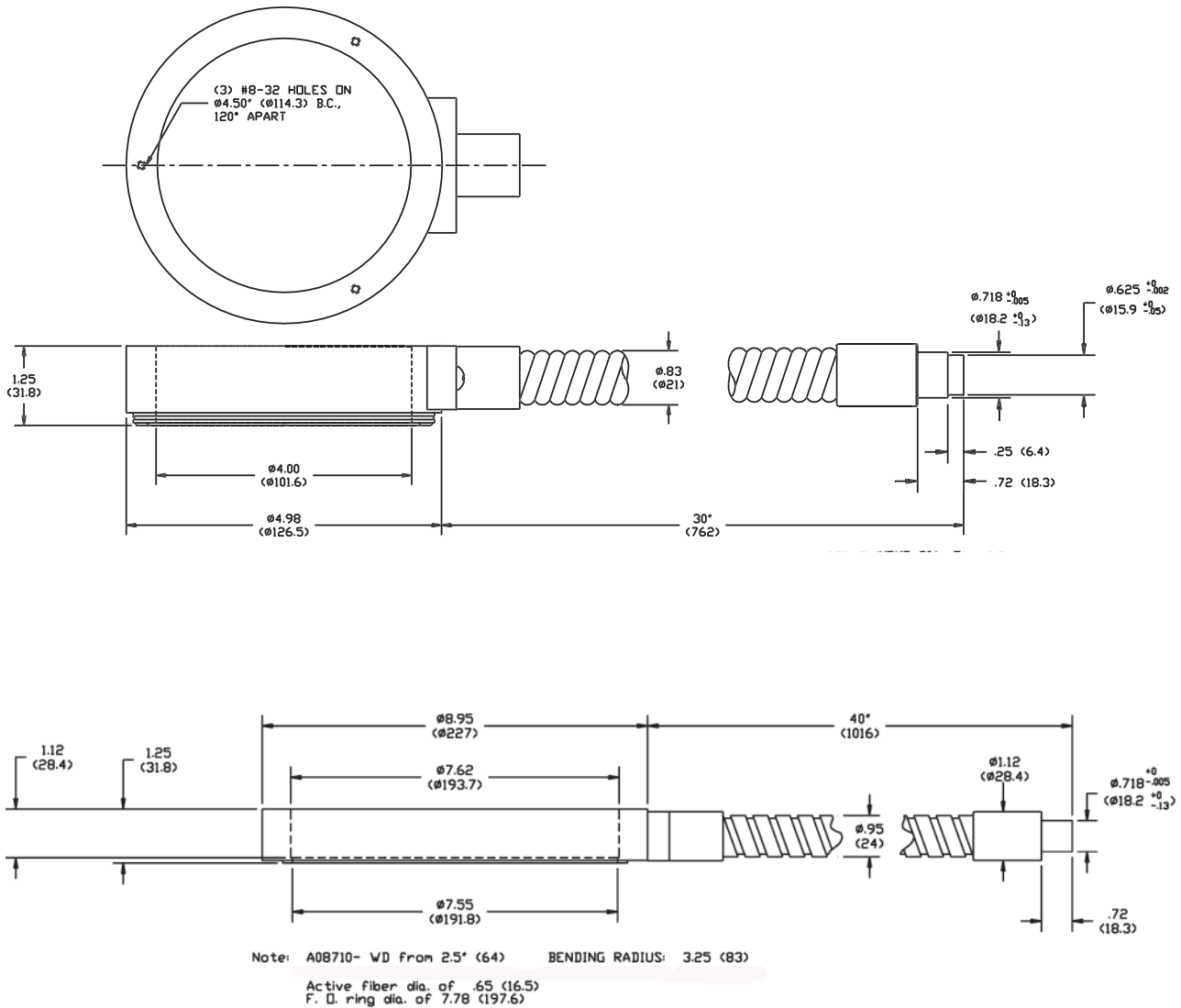
Dimensions in () are in mm

Ringlight Input: Black Anodized Aluminum

Bundle Sheathing: PVC Covered Metal Tubing or Stainless Steel

Product improvements may result in specification or feature changes without notice.

Warning: This product is manufactured with glass fiber. Not for use in cable/hose carrier. Call SCHOTT to discuss moving cable/hose carrier applications.



Lighting and Imaging

SCHOTT AG

Otto-Schott-Str. 2

55127 Mainz

Germany

Phone: +49 (0) 6131/66-7752

Fax: +49 (0) 6131/66-7850

E-mail: lightingimaging@schott.com

www.schott.com/lightingimaging

SCHOTT
glass made of ideas