



Universal Ringlight, A08600.1 (new clamp style)



Universal Ringlight A08600 (classic clamp style)



Vertical Exit Universal Ringlight, A08620



Ringlight Clamp Ring, A08611

Universal Ringlights

For 33 to 81 mm Objective Diameters

SCHOTT ringlights emit intense, uniform, and shadow-free illumination for Machine Vision and Microscopy applications.

Standard Features

- Fits microscope and camera objectives from 33 to 81 mm depending on the manufacturers' model number. See chart below. Select ringlight part number based on objective diameters.
- Working distance is 1.5" to 6" (38 to 152 mm)
- 33" (838 mm) bundle length on all models
- The ringlight body is made of rugged, black anodized aluminum and the fiber bundle is protected with flexible PVC covered metal tubing.
- Two unique clamping/mounting systems for precise positioning. Most ringlights fit directly onto the microscope and camera objective without adapters. See Support Apparatus for Ringlights section of the product catalog for details (07.31.08).
- Input fits all ColdVision light sources. Ringlights can be used with other manufacturer's continuous light sources. Adapters may be required.
- Use ringlights with our Dichroic color filters, diffusers, polarizer/analyzers, and reflector rings for alternative lighting effects.
- Vertical exit bundle option increases work space and prevents the bundle from interfering with surrounding objects.
- Modified standard and custom ringlights are also available for your unique requirements.

Universal Ringlight

Part No.	Standard Exit	Vertical Exit	Minimum Working Distance	Objective diameter Camera and Microscope	Mounting	Polarizer/System Analyzer
A08600	X		1.5"	47 to 62 mm	Clamps (classic)	A08615
A08690	X		1.5"	33 to 81 mm	Clamps (new)	A08615
A08620		X	1.5"	47 to 62 mm	Clamps	A08615

Universal Ringlights

Dimensions: in (mm); not to scale

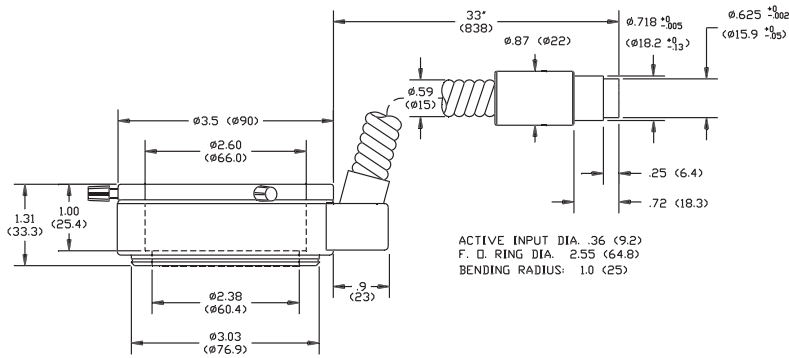
Ringlight Input: Black Anodized Aluminum or Conductive Finish

Bundle Sheathing: PVC Covered Metal Tubing or Stainless Steel

Working Distance: 1.5" to 6" (38 to 152)

Product improvements may result in specification or feature changes without notice.

Warning: This product is manufactured with glass fiber. Not for use in cable/hose carrier. Call SCHOTT to discuss moving cable/hose carrier applications.



A08620 - 47 mm / 62 mm Ringlight with Vertical Exit

CLAMP FOR A08611
1.8/2.4" (47/62MM)



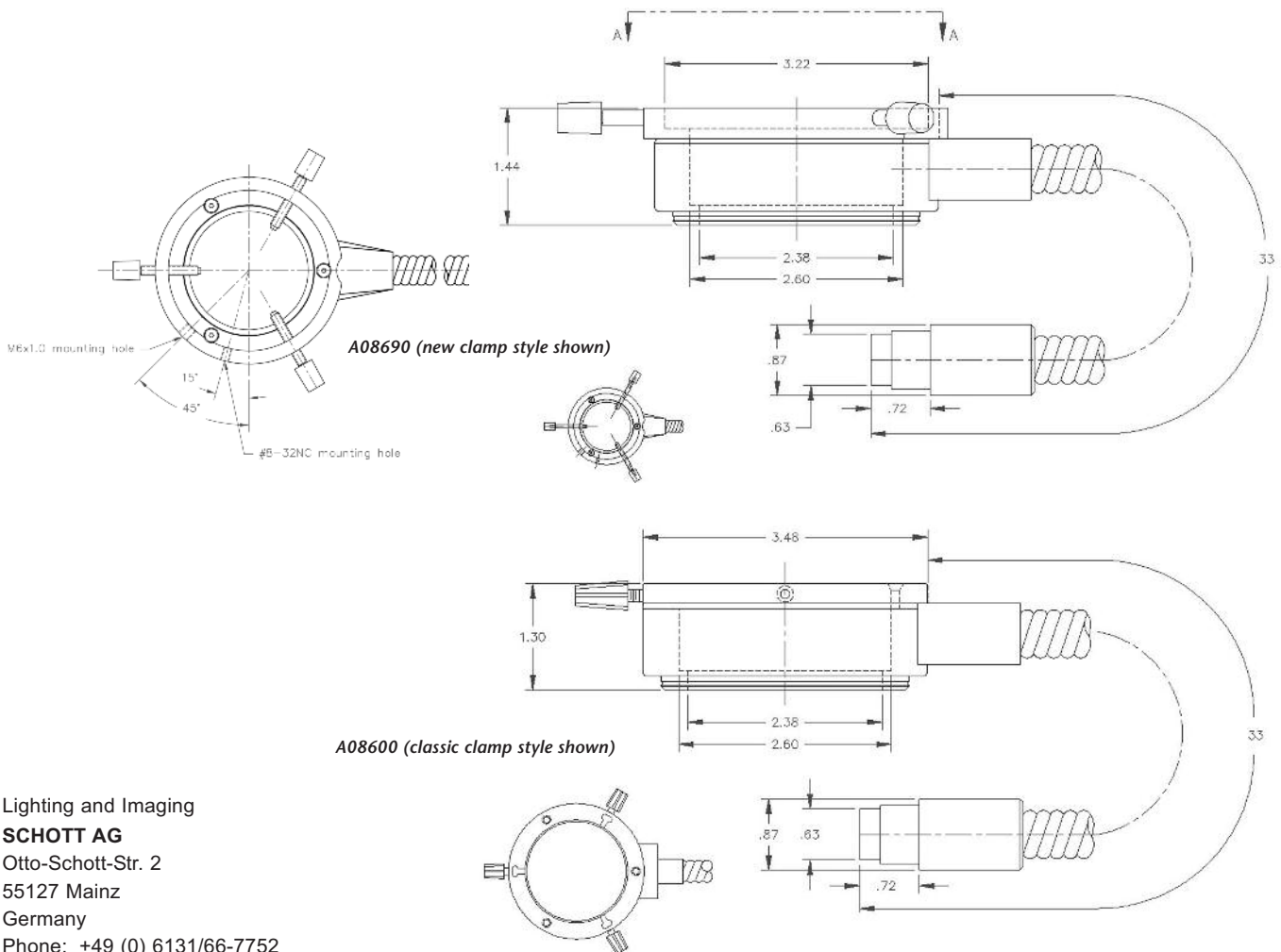
CLAMP FOR A08612
1.3/1.8" (33/46MM)



CLAMP FOR A08613
2.4/3.2" (64/81MM)



See Support Apparatus Section of the Product Catalog for more details on Ringlight Clamps



Lighting and Imaging

SCHOTT AG

Otto-Schott-Str. 2

55127 Mainz

Germany

Phone: +49 (0) 6131/66-7752

Fax: +49 (0) 6131/66-7850

E-mail: lightingimaging@schott.com

www.schott.com/lightingimaging

SCHOTT
glass made of ideas