

Darkfield Illuminator, Adapter, A08645
and Spacer Ring, A08644

Darkfield Illuminator

For uniform darkfield illumination.

Features

- Fiber optic full annular ring configuration.
- Dovetail adapters for a variety of microscopes attach to slide the illuminator into place under the microscope stage. See chart on left for adapter specifications. Please note that a spacer ring, A08644, is required for the A08645 model adapter.
- Does not interfere with microscope operation.
- Light exits at a nominal 20° horizontal angle and will illuminate a 1" (25.4)* diameter area.
- Ringlight comes with a fixed size aperture to shield optics from light.
- Working distance from .10" (2.5) to .38" (9.7).
- Optional Iris Aperture allows adjustment of the darkfield spot size for light sensitive applications.

Darkfield Illuminator & Accessories

Part No.	Description
A08644	Darkfield Spacer Axio 2 for A08645 Adapter
Dovetail Adapters	
A08645	Dovetail Adapter for Zeiss Axioplan (see A08644)
A08646	Dovetail Adapter for Leitz Laborlux, DMR
A08647	Dovetail Adapter for Olympus
A08649	Dovetail Adapter for Zeiss Axioskop



Ringlight Adapters

For unique microscope objectives.

Features

- Made of black anodized aluminum.

Ringlight Adapters

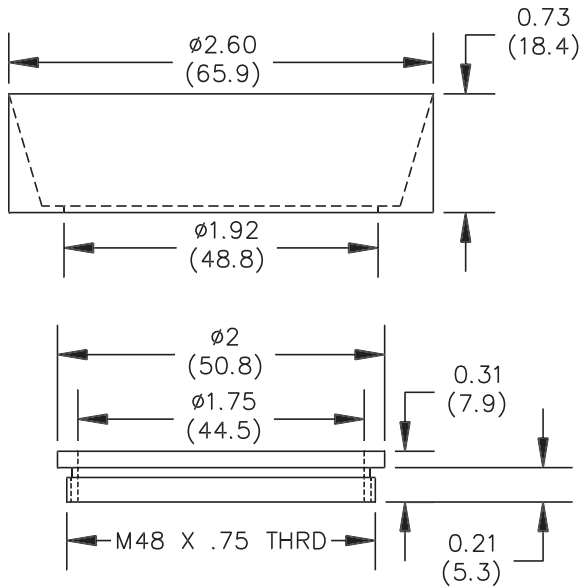
Part No.	Ringlight	Microscope	Mounting
A08626	A08625	Olympus SZ	Screw-on Retaining Ring

Ringlight Adapters

Dimensions in () are in mm

Product improvements may result in specification or feature changes without notice.

A08626
Ringlight Adapter



Lighting and Imaging

SCHOTT AG

Otto-Schott-Str. 2

55127 Mainz

Germany

Phone: +49 (0) 6131/66-7752

Fax: +49 (0) 6131/66-7850

E-mail: lightingimaging@schott.com

www.schott.com/lightingimaging

SCHOTT
glass made of ideas