



LABVIEW® Driver, manuals, demo software, 5" Velcro® mounting strip, and wall transformer for the RS232 Interface.



RS232 Single Cable with Plug, A20661

RS232 Interface

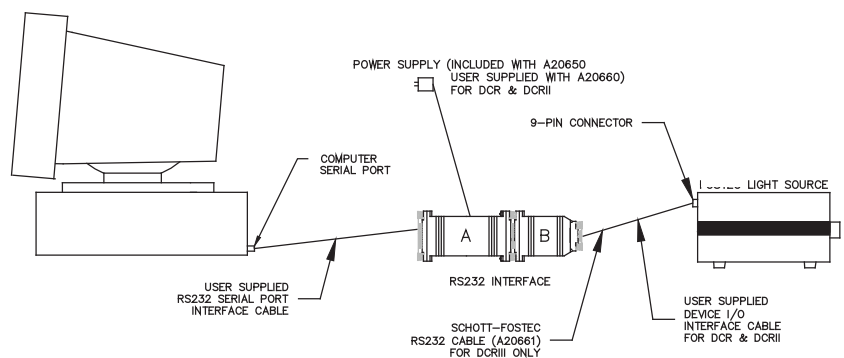
A modular approach to computer control.

Standard Features

- Can be used with any device requiring 0 to 5 volt control voltage input.
- Scaling feature can convert output to 0.0 to 2.5 volts.
- Permits full range intensity control.
- A single RS232 interface controls the intensity of up to three light sources. The intensity setting can vary for each.
- Lamp on/off feature is independent of intensity control. Manage on/off function of multiple light sources as one unit (*DCR®III only*).
- For maximized control from your computer, SCHOTT offers single, dual and triple RS232 cables (*for DCR®III light sources only*). This gives the computer the added capability of reading lamp failure.
 - User must supply standard cables when connected to DCR® and DCR®II series light sources.
- When used with SCHOTT's RS232 cables the interface can be powered from the 9-pin connector on the DCR®III light source, therefore a power supply is not required.
- RS232 single, dual, and triple cables are sold separately.
- Comes with LABVIEW® Driver, manuals, demo software and 5" Velcro® mounting strip.
- CE compliant.

RS232 Interface	
Part No.	Description
A20650*	RS232 Interface with UL approved 120V wall transformer
A20660*	RS232 Interface without wall transformer
RS232 Cables	
A20661	RS232 Single Cable with Plug
A20662	RS232 Dual Cable with Plug
A20663	RS232 Triple Cable with Plug

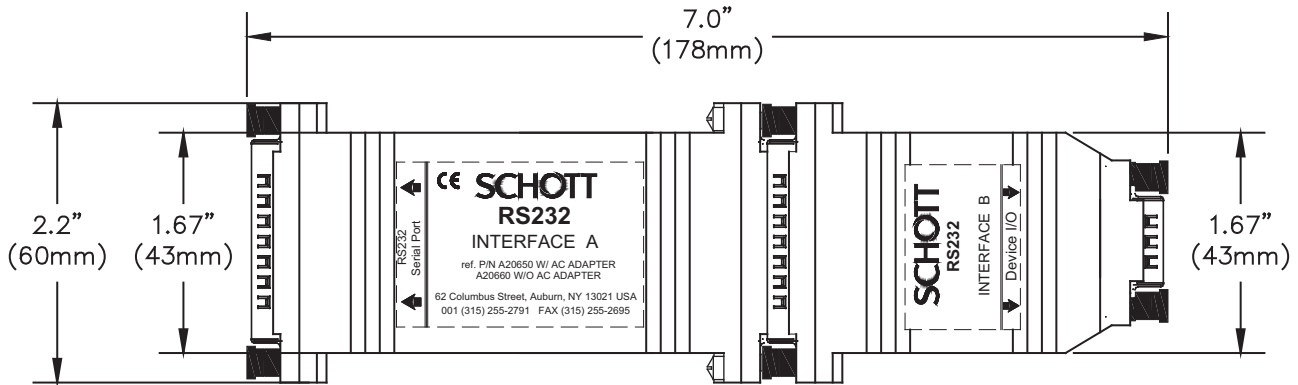
User supplies shielded DB-9 male/female connector and RS232 serial port to DB-25 Sub D type connector.



RS232 Interface

Dimensions in () are in mm

Product improvements may result in specification or feature changes without notice.



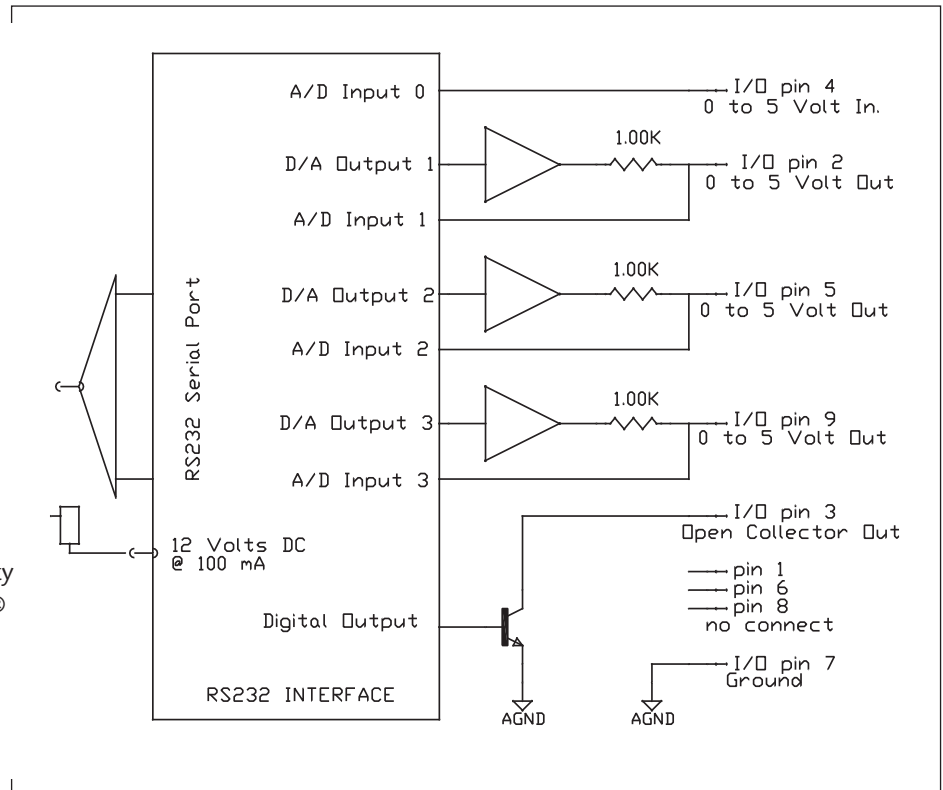
Power: 12 Volts DC @ 100 mA

Connection: 2.5 mm sub-mini two connector plug

Data Format: 1200 - 9600 Baud (auto detect) 8 data bits, 1 stop bit, no parity

- Three buffered 0 to 5 Volt analog outputs with 8 bit resolution and x-2 scaling bit.
- ▢ One open collector output.
- ▢ Four 0.0 to 5.0 Volt analog inputs* with 12 bit resolution. Three are individually wired to the analog outputs for read back capability. One is available for general use.
- ▢ For specific lightsource I/O listings, please refer to the lightsource user's manual.

* DCR®II and DCR®III maintain stability regardless of intensity setting. DCR® may become unstable at voltage inputs less than 2 volts. Refer to RS232 User's Manual or contact SCHOTT for more information.



Lighting and Imaging

SCHOTT AG

Otto-Schott-Str. 2

55127 Mainz

Germany

Phone: +49 (0) 6131/66-7752

Fax: +49 (0) 6131/66-7850

E-mail: lightingimaging@schott.com

www.schott.com/lightingimaging

SCHOTT
glass made of ideas