



115 Volt ACE® Remote Light Source with EKE lamp, A20560



10" Extension Cord with CPC connectors, A29505

ACE® Remote Light Source

All the features of our universally accepted ACE® light source with the added convenience of the following:

Remote Features

- 6' shielded black cable provides remote intensity control, including ON/OFF.
- Positive locking, quick disconnect cable will not pull out.
- CSA approved to UL spec, CE compliant to low voltage and EMC directives.
- 10' shielded extension available as an option.
- Control assembly is supplied in black only.

Standard Features

- Heavy duty, grounded metal housing.
- 115 or 230 input voltage versions available.
- IR interference filter for cool illumination.
- Full illumination on .60" active diameter input.
- Solid state dimmer control.
- Interchangeable Modulamp® Units offer 2 positions to maximize individual lamp efficiencies.
- Choice of three, 150 watt halogen lamps - EJA, EKE, and DDL for intense, uniform illumination.
- Built-in thermal shut down.
- Quiet rear exhaust.
- Zero to full intensity.
- Low housing temp - slightly above ambient.
- Detachable IEC cord.

Options

- Shutter module.
- Infinite setting, twelve blade iris diaphragm version available to reduce intensity while maintaining color temperature.

ACE® Remote Light Sources		
115 Volt	230 Volt	Description
Custom	A20570	EKE Lamp
Custom	Custom	EJA Lamp
A20560.2	A20570.2	DDL Lamp
ACE® Remote Light Sources with Iris		
Custom	Custom	EKE Lamp and Iris
Custom	Custom	EJA Lamp and Iris
Custom	Custom	DDL Lamp and Iris
ACE® Remote Power Supply Modulamp®/lamp not included		
A20560.115	115 V Power Supply Only	
Extension Cord		
A29505	10' extension - CE and CSA Comp.	

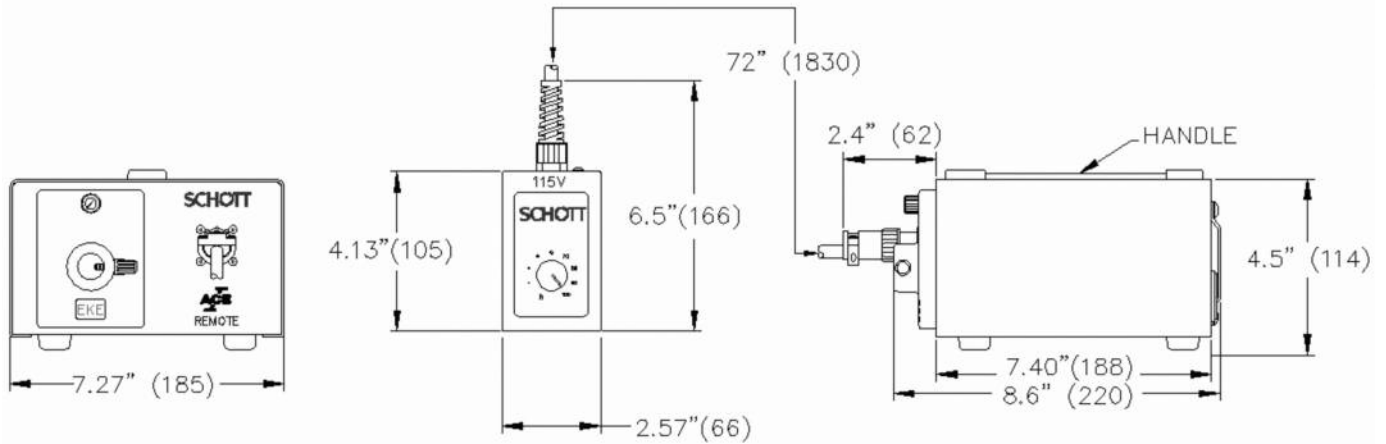
EKE, DDL, and EJA lamps and Modulamp® units can be purchased separately.

Power Supply Specifications	
Power Consumption	190 Watts (nominal)
Output Voltage	0 - 21 VAC
Fiber Receptacle	.720 (13.3)
Input Voltage	115 VAC / 60 Hz 230 VAC / 50/60 Hz
Temperature Range: Operating	0° to 50°C

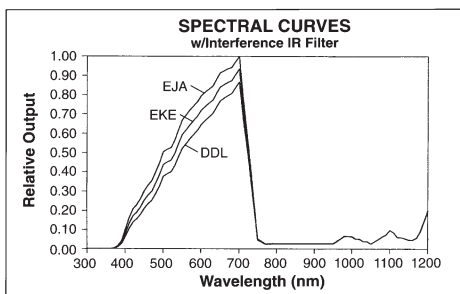
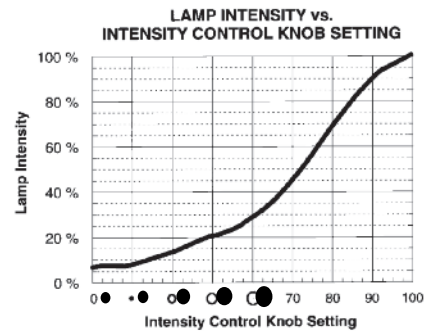
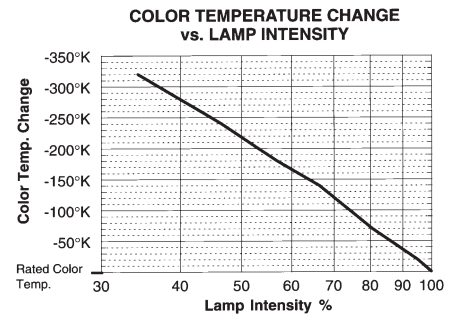
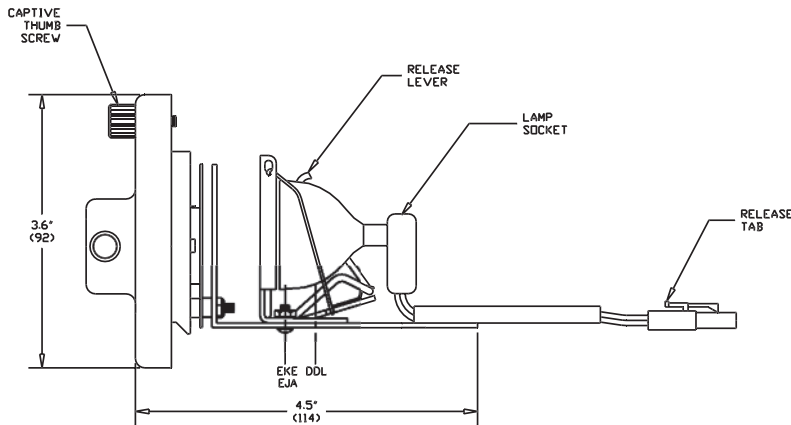
ACE® Remote Light Source

Dimensions in () are in mm

Product improvements may result in specification or feature changes without notice.



Input: 115 VAC/60 Hz, 230 VAC/50/60 Hz, Output: 0–21 VAC



Modulamp®... SCHOTT Innovation! Two positions optimize light intensity output, depending on the lamp in use. Entire housing is interchangeable for quick setup.

Choice of Lamps.. SCHOTT Versatility! Three different bulbs (EJA, EKE, DDL) offer light intensity and color temperature options to maximize productivity and accuracy.

Solid State Dimmer..SCHOTT Control! Continuous intensity control for lamp life management.

Lighting and Imaging

SCHOTT AG

Otto-Schott-Str. 2

55127 Mainz

Germany

Phone: +49 (0) 6131/66-7752

Fax: +49 (0) 6131/66-7850

E-mail: lightingimaging@schott.com

www.schott.com/lightingimaging

SCHOTT
glass made of ideas