



Ringlight



Transmitted Light Stage



Spot Illuminator

EasyLED Systems

Ergonomic and compact illumination systems for stereo microscopy and macroscopy

Using the most current technologies, the EasyLED product line integrated high brightness LEDs with controller electronics into the head of the illuminator. This integration combines easy, ergonomic operation with outstanding price performance ratio.

Due to neutral white LEDs (5600 K), images of excellent color fidelity can be achieved.

Robust metal housings and well designed heat sinks make maximum brightness and long lifetime of 30,000 hours possible.

Features

- No separate controller box for ringlight and backlight. Compact controller box for spotlight.
- Ergonomic operating (not necessary to remove eyes from the eyepieces).
- Continuous dimming from 0 to 100%.
- All devices are separately dimmable.
- Wide input range power supply (100-240 V).
- World wide plug (clip system).
- Low costs for high quality and functionality.
- Manufactured in the EU.

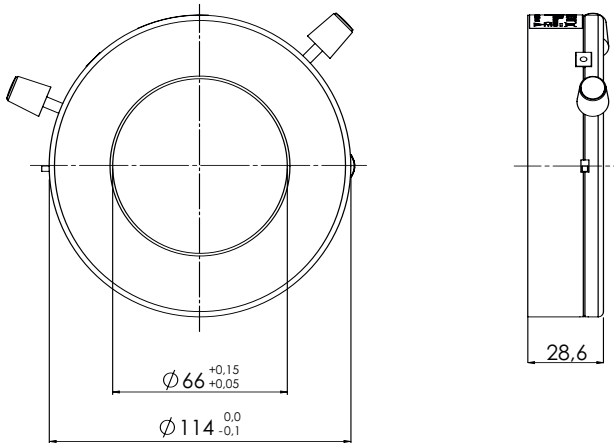
Light Heads					
Description	Part-No.	Free working distance (FWD)	Max. illuminance	AdaptionØ	Power supply
Ringlight System	600 200	55 - 135 mm (2.17" - 4.33")	90 klx (at 75 mm FWD)	66 mm (2.60")	12 V, DC
		Illuminated area	Max. luminance	Adaption Ø	Power supply
Transmitted Light Stage	600 400	Ø 50 mm (1.97")	12,000 cd/m ²	84 mm (3.31")	12 V, DC
		Front lens	Max. light flux	Adaption thread	Power supply
Spot Light System	600 100	Ø 17 mm (0.67")	40 lm	M6	5 V, DC

Adaptors for Transmitted Light Stage	
Ø 84 mm to Ø 100 mm	157 600
Ø 84 mm to Ø 120 mm	157 610
Ø 84 mm to Ø 180 mm	157 620
Ø 84 mm to Ø 90 mm	157 630

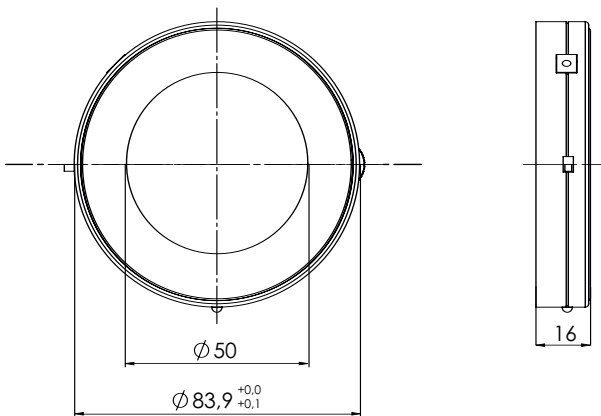
Objective Adaptors	
Ø 58 mm to Ø 66 mm	157 450
Ø 60 mm to Ø 66 mm	157 452

Product improvements may result in specification or feature changes without notice.

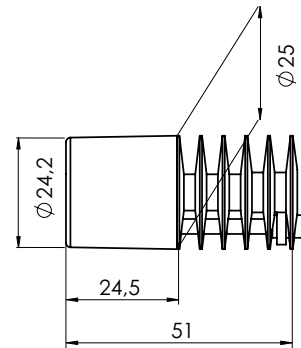
EasyLED Lightheads



EasyLED Ringlight



EasyLED Transmitted Light Stage



EasyLED Spot

Fiber Optics
SCHOTT North America Inc.
62 Columbus Street
Auburn, NY 13021
USA

Phone +1 315/255-2791
Fax +1 315/255-2695
fiberoptics.auburn@us.schott.com
www.us.schott.com/fiberoptics

For your local sales contact please visit
www.us.schott.com/fiberoptics/english/contact

SCHOTT
glass made of ideas