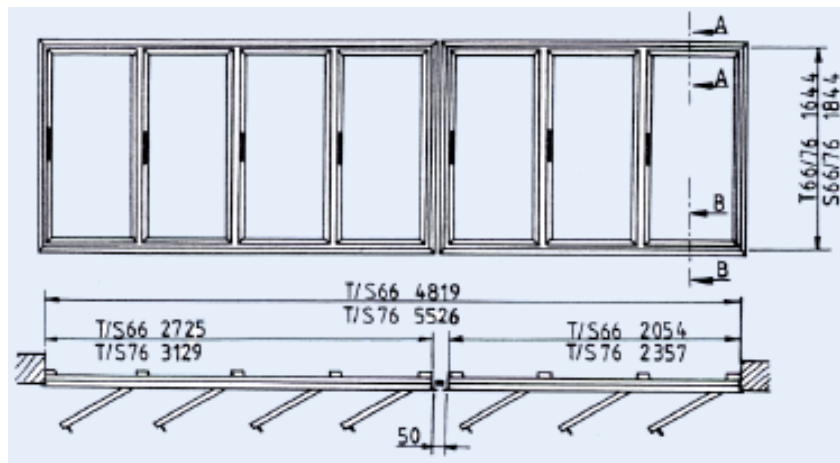


Schott Termofrost AB glass doors for NT (cold storage) and LT (deep freeze storage)

Technical Datasheet for T/S - 66/76

In the Schott Termofrost AB standard program two heights are available, standard and super height. These two heights can be used in combination of two different widths, 660 mm and 760 mm. The T66/76 model can also be ordered as a pair door, these are delivered without mullion for maximum display area.

All frames and doors are produced and constructed according to the low voltage directive 73/23/EEC, the EMC directive 89/336/EEC and amended by the CE-marking directive 93/68 EEC.



Frame installation sketch

Outer frame dimensions include tolerances and dimensions for adjoining post.

All dimensions in mm.

Dimensions

Outer frame width includes a build-in tolerance of 5 mm on each outer frame side. For frames that are mounted together an adjoining post is used with a width of 50 mm.

Installation width (mm)

No of frames	No of doors	Model T/S 66 Width	Model T/S 76 Width
1	1	712	813
	2	1383	1585
	3	2054	2357
	4	2725	3129
	5	3396	3901
2	5	3477	3982
	6	4148	4754
	7	4819	5526
	8	5490	6298
	9	6161	7070
	10	6832	7842
3	9	6242	7151
	10	6913	7923
	11	7584	8695
	12	8255	9467
	13	8926	10239
	14	9597	11011
	15	10268	11783
4	13	9007	10320
	14	9678	11092
	15	10349	11864
	16	11020	12636
	17	11691	13408
	18	12362	14180
	19	13033	14952
20	13704	15724	

Installation height (mm)

Outer frame height including a tolerance of 5 mm at the top

Model	Height (mm)
T66 Standard	1644
T76 Standard	1644
S66 Super	1844
S76 Super	1844

Pass-through opening standard (mm)

Door type Width Height

Door type	Width	Height
T66 Standard	590	1521
T76 Standard	690	1521
S66 Super	590	1721
S76 Super	690	1721

Pass-through opening pair doors (mm)

Door type Width Height

Door type	Width	Height
T66 Pair	1254	1521
T76 Pair	1456	1521

Door dimensions pair doors (mm)

No of frames	No of doors	Model T/S 66 Width	Model T/S 76 Width
1	2	1383	1585
2	4	2806	3210
3	6	4229	4835
4	8	5652	6460
5	10	7075	8085
6	12	8498	9710
7	14	9921	11335
8	16	11344	12960
9	18	12767	14585
10	20	14190	16210

Door dimensions standard (mm)

Door type Width Height

Door type	Width	Height
T66 Standard	660	1601
T76 Standard	760	1601
S66 Super	660	1801
S76 Super	760	1801

Note! Make sure that the number of frames are correct when deciding the total dimension for an installation consisting of more than one frame.

Technical Data

Lighting with integrated ballast, single phase 230/240 volt.
Nominal power consumption

Type	No. of doors	No. of frames.	Consumption heaters Watt	Consumption lighting, Watt	Total consumption, Watt	Total power consumption, Ampere
T66 Standard LT	1	2	275	140	415	1.80
	2	3	501	210	711	3.09
	3	4	713	280	993	4.32
	4	5	958	350	1308	5.69
	5	6	1156	420	1576	6.85
T76 Standard LT	1	2	293	140	433	1.88
	2	3	545	210	755	3.28
	3	4	778	280	1058	4.60
	4	5	1060	350	1410	6.13
	5	6	1260	420	1680	7.30
S66 Super LT	1	2	292	140	432	1.88
	2	3	519	210	729	3.17
	3	4	781	280	1061	4.61
	4	5	1029	350	1379	6.00
	5	6	1292	420	1712	7.44
S76 Super LT	1	2	311	140	451	1.96
	2	3	559	210	769	3.34
	3	4	857	280	1137	4.94
	4	5	1123	350	1473	6.40
	5	6	1381	420	1801	7.83
T66 Standard NT	1	2	77	112	189	0.82
	2	3	89	168	257	1.12
	3	4	125	224	349	1.52
	4	5	193	280	473	2.06
	5	6	288	336	624	2.71
T76 Standard NT	1	2	73	112	185	0.80
	2	3	101	168	269	1.17
	3	4	142	224	366	1.59
	4	5	185	280	465	2.02
	5	6	276	336	612	2.66
S66 Super NT	1	2	73	112	185	0.80
	2	3	118	168	286	1.24
	3	4	180	224	404	1.76
	4	5	221	280	501	2.18
	5	6	303	336	639	2.78
S76 Super NT	1	2	68	112	180	0.78
	2	3	141	168	309	1.34
	3	4	180	224	404	1.76
	4	5	213	280	493	2.14
	5	6	291	336	627	2.73
T66 NT Without mullion Pairdoor	2	2	73	112	185	0.80
T76 NT Without mullion Pairdoor	2	2	79	112	191	0.83

Door hinge

All doors are hinged on the right hand side as a standard. If there is a requirement for left hand hinged doors this can be ordered on request. Pair doors are hinged left/right.

LT-frames with electromecanical ballasts:

For LT-frames with electromecanical ballasts, a power correction is needed for 50 Hz systems.

The power factor of the light fitting is 0,5 and this should be corrected in the electrical distribution box in conjunction with the installation. For each light tube is app. 7 µF required.

NT-frames with electronical ballasts:

No power correction is needed for NT-frames with electronical ballasts. Double ballasts are always mounted from the left hand side when the frames are seen from the warm side. When the amount of openings is even, the lighting is completed with a single ballast to the right. Applies to 2 and 4-door applications.

Installation

When installing the outer frame it is very important to make sure that the gap between the frame and the cold room panel is filled with a sealant to avoid cool air to leak out. It is also very important that cold air is blowing directly towards the frame and the glass doors. To avoid this the placement of the evaporator must be considered. For more detailed information read Schott Termofrost AB's service and installation manual.

Lighting

Fluorescent tube:
Length 1500 mm, 58 Watt, colour: universal white, diameter 26 mm
Lamp cover: Transparent acrylic plastic
Ballast: 58W, 230 or 240 V, 50 Hz

Glas configuration

Door type	Inner glass	Middle glass	Outer glass
LT	Tempered safety glass, 3mm	Untempered glass, 3 mm	Tempered and heated glass, 3mm
NT	Tempered safety glass, 3mm	-	Tempered Low E glass, 4 mm

Door and frame configuration

Heating source	LT-vers. (min-25C)	NT-vers. (min +2C)
Heat in frame	Yes	Yes
Heat in door frame	Yes	No
Heated glass	Yes	No
Lighting	Yes	Yes

Ambient conditions

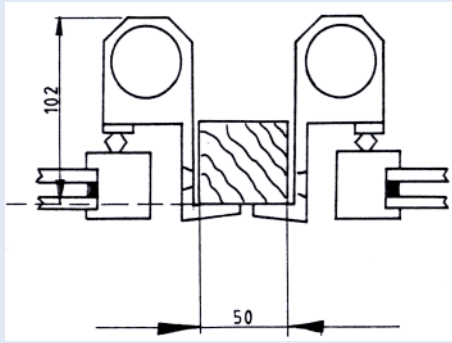
Schott Termofrost AB guarantees that the doors and the frames will stay free of condensation under the following conditions.

Version	Ambient conditions	Cold Room conditions
LT	+25° C / 60 % RH	min -25° C
NT	+25° C / 70 % RH	min + 2° C
NT *	+25° C / 60 % RH	min + 4° C

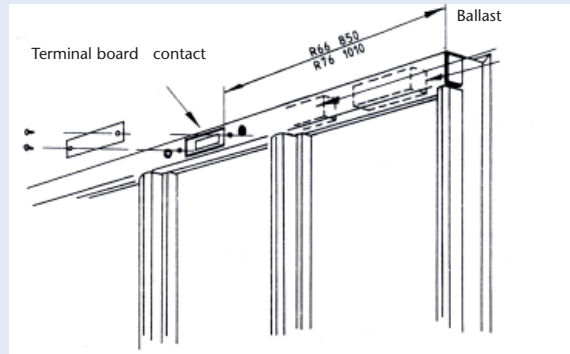
*) Applies to Schott Termofrost pair doors, without mullion.

Material

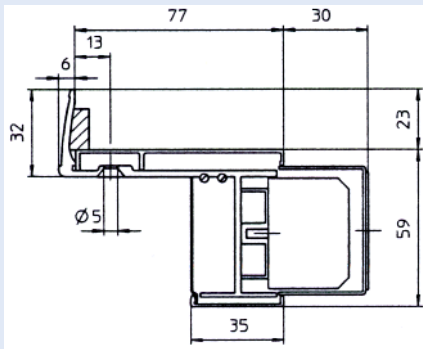
Outer frame: Anodized aluminium
Door frame: Anodized aluminium



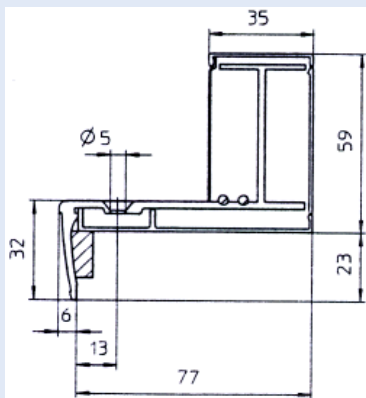
Assembly of frame to frame. Adjoiner of laminated wood 50x50mm faced with aluminium. The frame has predrilled holes on all four sides for mounting screws.



Section A-A
Frame profile top horizontal



Section B-B
Frame profile bottom horizontal



Side view, installation

