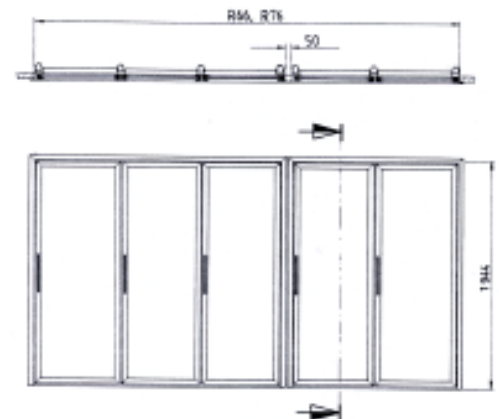


SCHOTT Termofrost glass doors, Roll In for NT (normal temperature)

Roll In comes in the height 1903 mm and two different widths, 660 and 760 mm.

Approved by SEMKO according to EN 60335 and EN 60598.

Frame installation sketch: Outer frame dimensions incl. tolerances and joining strips.
Dimensions in mm.



Dimensions

Outer frame width. Incl. tolerance of 5mm on each outer frame side and 50 mm wide joining strips.

No of frames	No of doors	R66 Roll-In	R76 Roll-In
1	1	712	813
	2	1383	1585
	3	2054	2357
2	4	2806	3210
	5	3477	3982
	6	4148	4754
3	7	4900	5607
	8	5571	6379
	9	6242	7151
4	10	6994	8004
	11	7665	8776
	12	8336	9548
5	13	9088	10401
	14	9759	11173
	15	10430	11945

Outer frame height incl. tolerance of 5 mm at the top

R66 Roll-In	1944
R76 Roll-In	1944

Door dimensions

	Width	Height
R66 Roll-In	660	1903
R76 Roll-In	760	1903

Pass-through opening

	Width 1 door	Width 2 doors	Height
R66 Roll-In	590	1260	1878 (with threshold)
R66 Roll-In	590	1260	1884 (cut threshold)
R76 Roll-In	691	1462	1878 (with threshold)
R76 Roll-In	691	1462	1884 (cut threshold)

Technical Data

Roll In

Lighting with integral ballasts, single phase, 230 V. Frame for R76 pair doors are delivered complete with additional horizontal lighting. No heat in frame, door or glass.

Nominal power consumption, single phase, 230 V for different door- and frame sizes.

Type	No of doors	No of light. hor.	No of light. vert.	Consump. lightings (W)	Total power consumption (A)
R66 Roll-In	1	-	2	112/152	0,49/0,64
	2	1	2	154/205	0,67/0,85
	2	-	3	168/229	0,73/0,95
	3	1	3	224/281	0,97/1,17
	3	-	4	224/305	0,97/1,27
R76 Roll-In	1	-	2	112/152	0,49/0,64
	2	1	2	154/205	0,67/0,85
	2	-	3	168/229	0,73/0,95
	3	1	3	224/281	0,97/1,17
	3	-	4	224/305	0,97/1,27

Lighting

Fluorescent tube:
Length 1500 mm, 58 Watt, full colour tubes, diameter 26 mm
Cover: Transparent acrylic plastic
Ballast: 58 W, 230 V, 50 Hz

Materials

Outer frame:
Anodized aluminium
Door frame:
Anodized aluminium
Glass NT: 2-pane insulating glass

Front and back pane tempered safety glass.

Installations without heating for normal temperature (NT) function condensation free in max. ambient temperature +25°C and 60% relative humidity with Cold Room temperature +4°C. This meets the ISO-standard of 1992.

Care must be taken to seal and insulate the outer frame. Avoid direct air stream being directed against the frame, by adjusting evaporator position if necessary.

Standard model Roll In

Art. no.
R66 100326
R76 100325



Art. no.
R66 100327
R76 100324



Art. no.
R66 100202
R76 100209



Art. no.
R66 100203
R76 100210



Art. no.
R66 100204
R76 100211



Art. no.
R66 100205
R76 100212



Art. no.
R66 100206
R76 100213



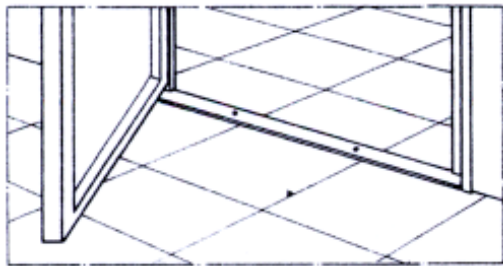
Art. no.
R66 100207
R76 100214



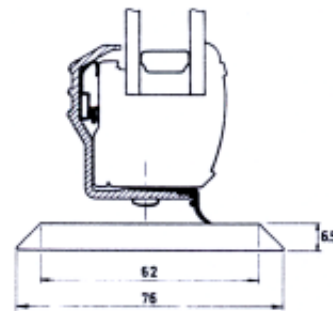
Art. no.
R66 100208
R76 100215



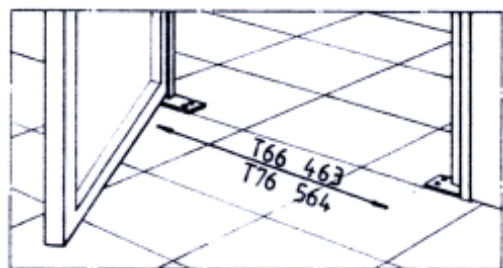
Execution with complete threshold
(standard)



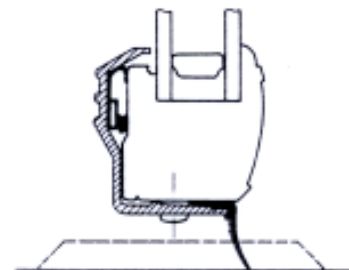
Detail of bottom door frame with
bottom gasket for standard
threshold.



Execution showing cut away
threshold. This cutting is carried
out once installation is complete.

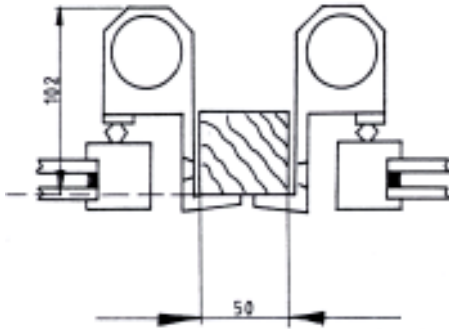


Detail of bottom door
frame with threshold
cut away and the bot-
tom gasket reversed to
give effective seal.

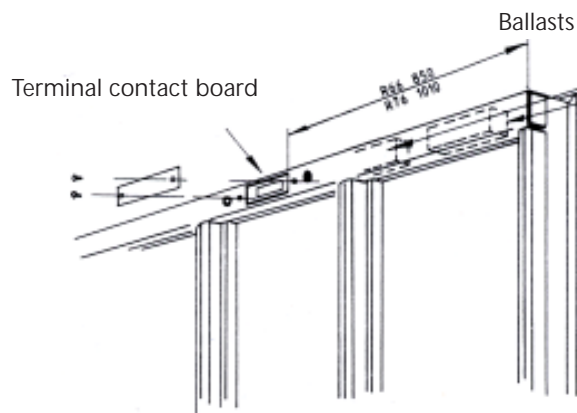


Assembly of frame to frame. Joining strip of laminated wood 50x50 mm, faced with aluminium front and back.

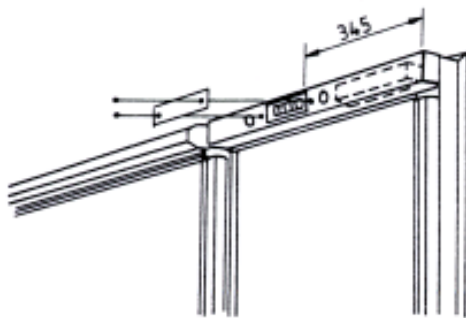
Frame pre-drilled all four sides for retaining screws.



Frame, rear view.



3-door frames Roll-In R76 with horizontal lighting for pair doors.



2-door frames Roll-In R76 for pair doors are supplied with cable contact, not terminal board as frames.

Section side 1

Roll In unit, side view with threshold direct against the floor.

