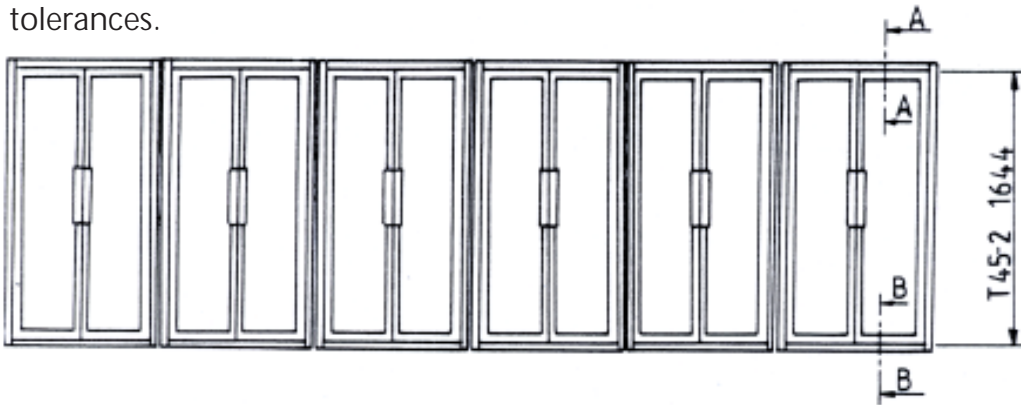


SCHOTT Termofrost glass doors, Maxi Twin

for NT (normal temperature)

Approved by SEMKO.

Frame installation sketch. Outer frame dimensions incl. tolerances.



Technical Data

Lighting with integrated ballasts, single phase, 230 V

Frame heat with on/off-switch.

Nominal power consumption, single phase, 230 V for different number of frames.

No. of frames	No. of lightings	Heat/Light (W)	Heat/Light (A)
1	2	70/112	0,30/0,49
2	3	140/224	0,61/0,97
3	4	210/336	0,91/1,46
4	5	280/448	1,22/1,95
5	6	350/560	1,52/2,43
6	7	420/672	1,83/2,92
7	8	490/784	2,13/3,41
8	9	560/896	2,43/3,90
9	10	630/1008	2,74/4,38
10	11	700/1120	3,04/4,87

No power factor correction is needed.

Installations without heating for normal temperature NT function condensation free in max. ambient temperature +25 C and 60% relative humidity with Cold Room temperature + 4 C. ISO-standard 1992.

Care must be taken to seal and insulate the outer frame. Avoid direct air stream being directed against the frame, by adjusting evaporator position if necessary.

Dimensions

Frame dim. incl. build in tolerance : 900x1644 mm

Door dimension:
428x1601mm

Pass-through opening:
790x1521 mm

Lighting

Fluorescent tube: 58 W, full colour tubes, diameter 26 mm, length 1500 mm

Cover: Transparent acrylic plastic

Ballast: 2x58 W, 230V, 50 Hz

Materials

Outer and door frame:

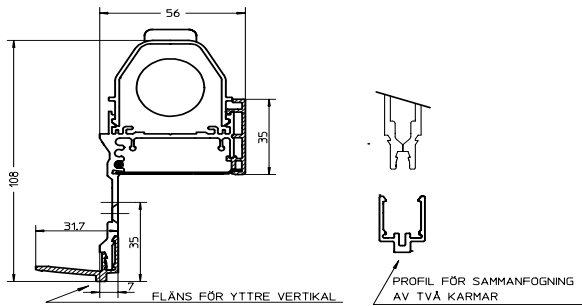
Anodized aluminium

Glass NT: 2 pane insulating glass.

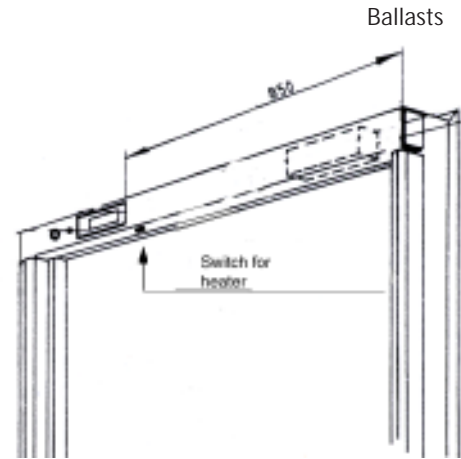
Front and back pane tempered safety glass.

A joining strip is used when connecting several units.
Dimensions in mm.

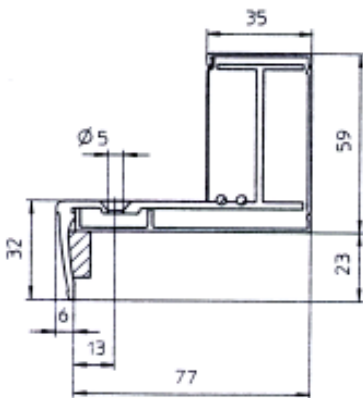
Section A-A
Outer frame profile top horizontal



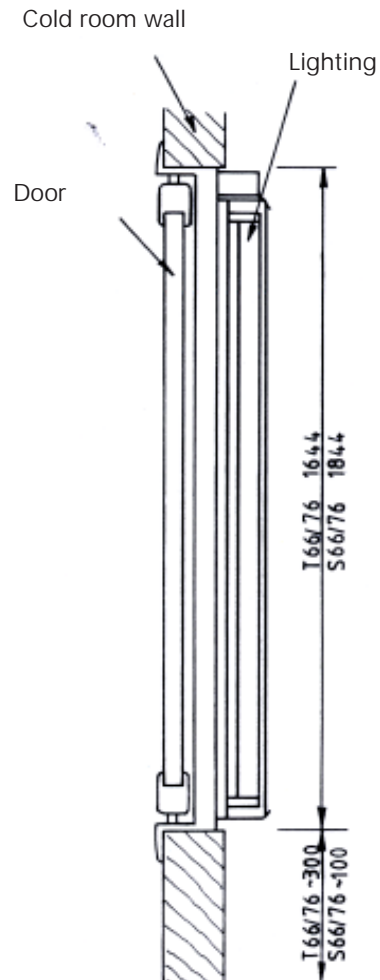
Outer frame, rear view



Section B-B
Outer frame profile bottom horizontal



SCHOTT Termofrost Maxi unit, side view



SCHOTT Termofrost AB
Korpalsvägen
Box 991
SE - 671 29 Arvika, Sweden

Phone: +46 (0) 570 472 00
Fax: +46 (0) 570 211 47
E-mail: info.termofrost@schott.com
Web: www.schott.com/food_display

SCHOTT
glass made of ideas