

# SCHOTT Premium Reading Light

**SCHOTT Phoenix** – outstanding design for In-Seat Reading Light solutions



## Product characteristics

Classy design

Premium materials & finish

Backlighting switch

Highly defined cone of light

Single high brightness LED

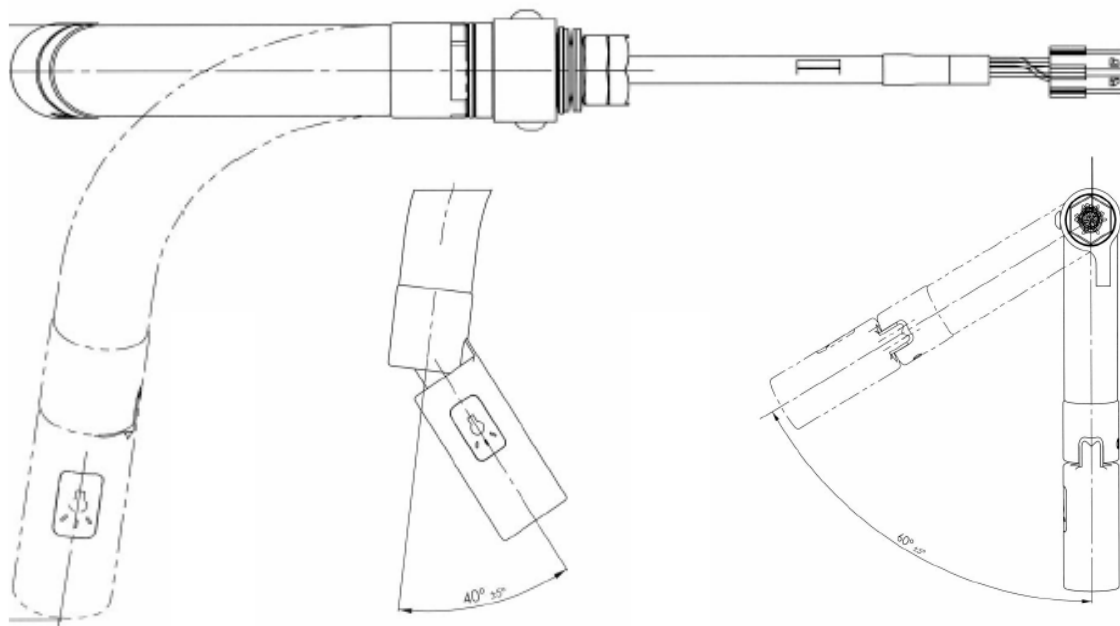
Dimmable

Light head adjustable in a wide range

Qualification in preparation for all AIRBUS and BOEING Aircraft.

**SCHOTT**  
glass made of ideas

Product Specifications	
Max. weight	200 g
Power Supply	5 V DC +/- 10%
Total current at full on	Max. 100 mA
Power Consumption: full power quiescent	0,6 W max 0,1 W max
Typical axial illuminance	Max. 350 lx Min. 150 lx (illuminance measured in the center of the light cone at a distance of 410 mm)
Color temperature	5900 k +/- 700 k



**For more information please contact:**

**Aviation**

SCHOTT North America  
122 Charlton Street  
Southbridge, MA 01550  
USA

Phone: +1 508/7653235

Fax: +1 508/7647361

E-mail: [info.aviation@us.schott.com](mailto:info.aviation@us.schott.com)

[www.us.schott.com/aviation](http://www.us.schott.com/aviation)

**SCHOTT**  
glass made of ideas